

Revolutionary New Quick-Lock® & Adjustable Quick-Lock® Unibar® Centralizers

**Soil Nailing - Tendon/Rebar
Alignment Support**

QUICK-LOCK® and ADJUSTABLE QUICK-LOCK® UNIBAR® CENTRALIZERS

The answer to uniform reinforcement steel spacing requirements in single-bar foundation/tieback elements. To achieve proper design strength in any drilled and grouted/concreted hole, the tendon/rebar or anchor material must be centered in the shaft to allow minimum coverage throughout the length of the element.

APPLICATION

QUICK-LOCK® and ADJUSTABLE QUICK-LOCK® UNIBAR® CENTRALIZERS are designed to keep the tendon/bar centered in the bore/drill hole to allow for minimum grout/concrete coverage and do not impede flow of grout within bore/drill hole and around tendon. They are made of durable non-corrosive plastic and consisting of two identical halves that are fast and easy to snap together. QUICK-LOCK® and ADJUSTABLE QUICK-LOCK® UNIBAR® CENTRALIZERS will accommodate Single Bar, Multi-Bar/Strand Anchors, Encapsulated (DCP) Anchors, and Steel or Plastic Pipe Applications. They are ideal for Soil Nails, Rock/Soil Anchors, Micro-Piles, and Auger-Cast Piles with single tension bars.



PLACEMENT

The lowest QUICK-LOCK® and ADJUSTABLE QUICK-LOCK® UNIBAR® CENTRALIZER should be installed approximately 1 foot from the end of the tendon/bar material. Each successive UNIBAR® CENTRALIZER should be placed at no greater than 10-foot intervals. The upper UNIBAR® CENTRALIZER should be approximately 1 foot below grout/concrete surface.



ADVANTAGES

- 2 identical halves
- easy to snap together
- made of durable non-corrosive plastic
- can be attached with zip ties or tie wire
- offset to fit between rebar threads
- keeps single tendon/bar centered within a drill hole
- ideal for soil nail applications
- no nuts or bolts required
- lightweight and economical

ASSEMBLY

Quickly assemble the QUICK-LOCK® and ADJUSTABLE QUICK-LOCK® UNIBAR® CENTRALIZER by easily snapping the two identical halves together over the tendon/rebar and tying it on with tie wire.



Part No.

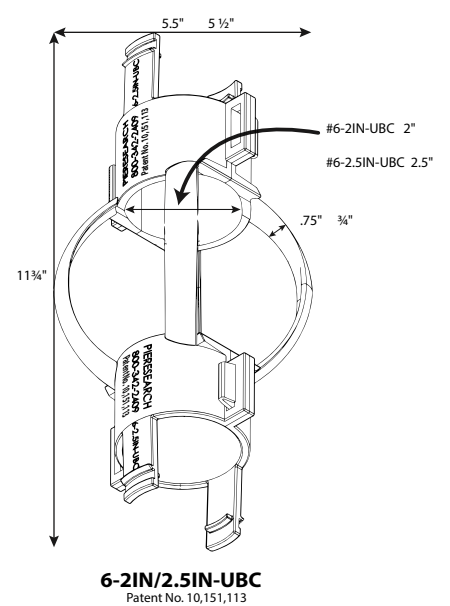
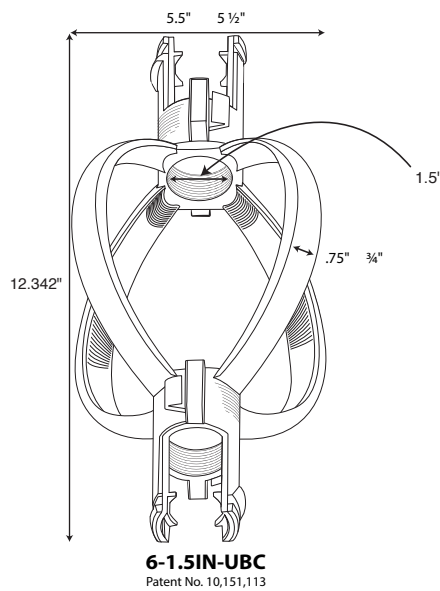
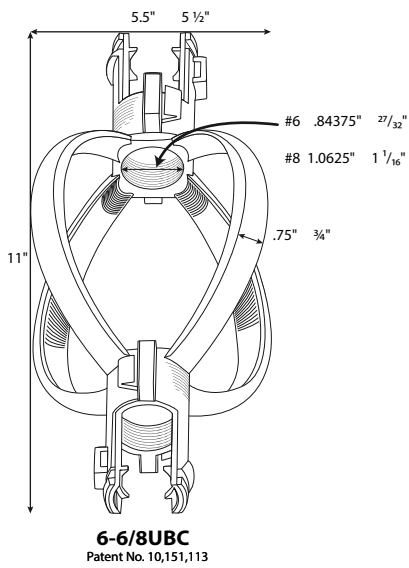
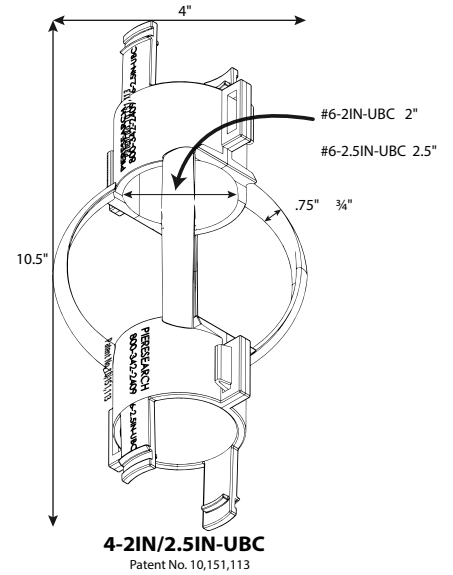
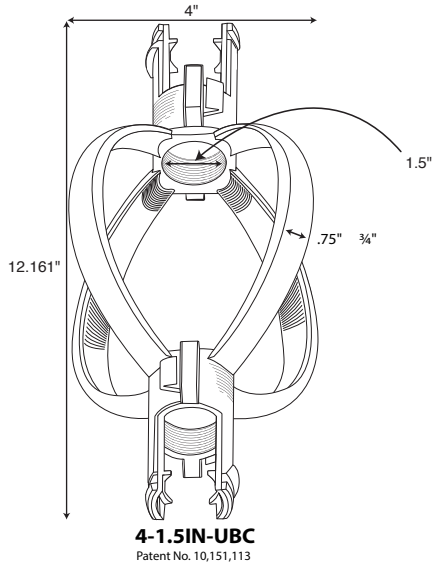
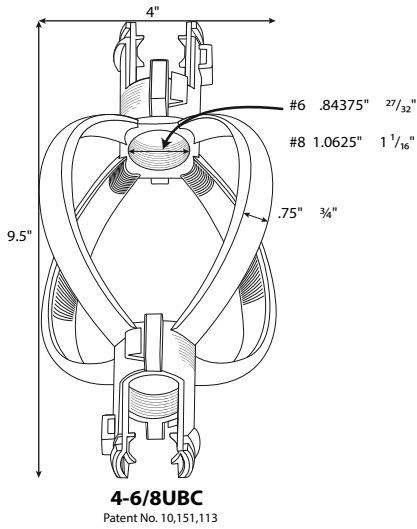
Description

4-6UBC	4" O.D. fits rebar sizes #5 thru #6
4-8UBC	4" O.D. fits rebar sizes #7 thru #8
4-1.5IN-UBC	4" O.D. with 1.5" I.D. Hub
4-2IN-UBC	4" O.D. with 2" I.D. Hub
4-2.5IN-UBC	4" O.D. with 2.5" I.D. Hub
6-6UBC	6" O.D. fits rebar sizes #5 thru #6
6-8UBC	6" O.D. fits rebar sizes #7 thru #8
6-1.5IN-UBC	6" O.D. with 1.5" I.D. Hub
6-2IN-UBC	6" O.D. with 2" I.D. Hub
6-2.5IN-UBC	6" O.D. with 2.5" I.D. Hub
8-6/11UBC	8" O.D. adjustable I.D. Hub fits rebar sizes #6 thru #11

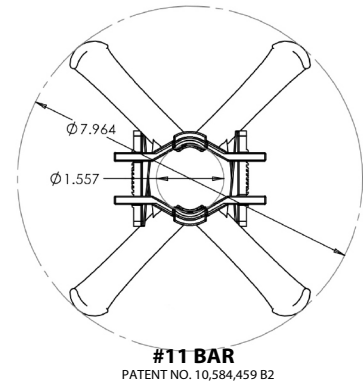
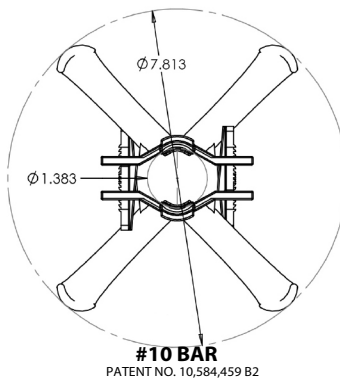
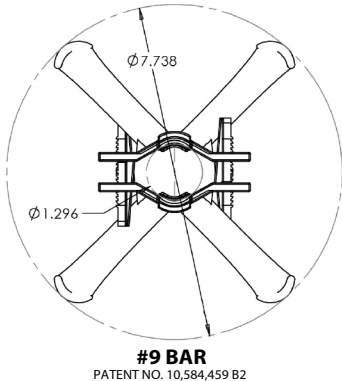
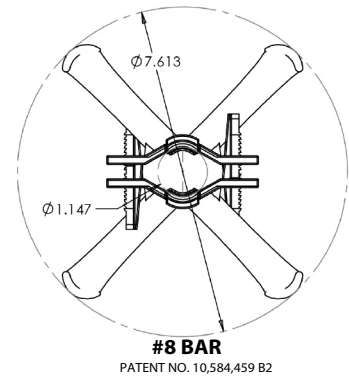
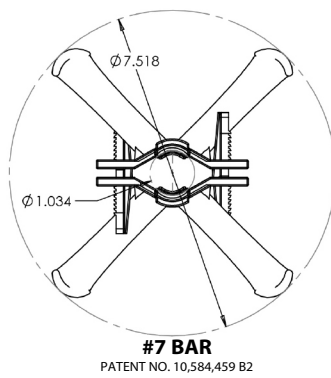
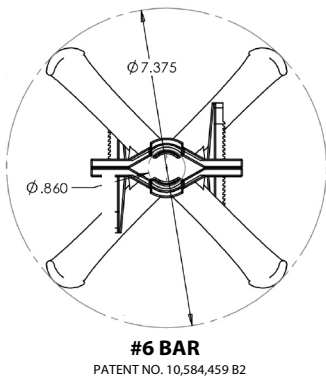
PIERESEARCH®
Manufacturer of Quality Concrete Accessories
Proudly Made in the USA!

**See the following page for more
Unibar® information**

UNIBAR® CENTRALIZER



ADJUSTABLE UNIBAR® CENTRALIZER

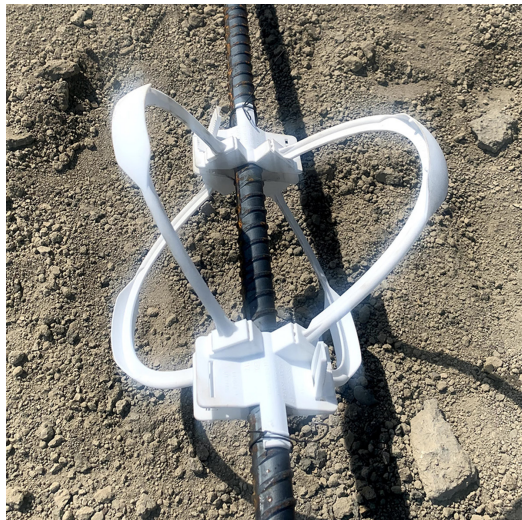
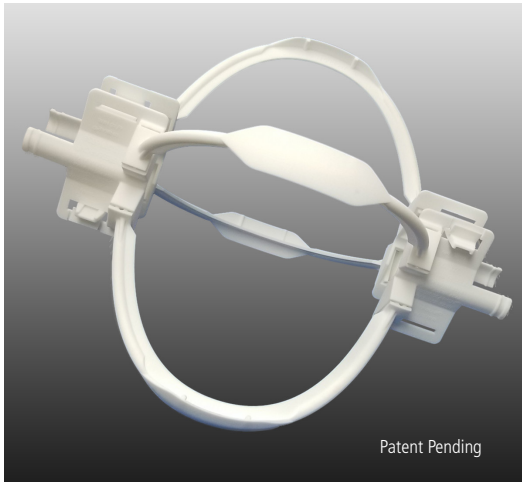


ADJUSTABLE QUICK-LOCK® UNIBAR® CENTRALIZERS

For Single-Element Reinforcing

**ADJUSTABLE
 QUICK-LOCK® UNIBAR® CENTRALIZERS**

We have long known about the importance of proper alignment for reinforcing cages in drilled shaft construction. It is no less important to provide the same quality assurance for related deep foundation and earth support construction applications. In order to achieve proper design strength in any drilled and grouted hole the bar or tendon must be centered in the drilled hole to assure proper grout or concrete coverage throughout the design length of the element. Pieresearch®, a long-time industry leader in alignment/centralizer products for the deep foundations industry has developed a new, adjustable, centralizer for augercast pile, micropile, soil nail, and tieback installation. The ADJUSTABLE QUICK-LOCK® UNIBAR® CENTRALIZER is the answer to uniform spacing requirements across a wide range of diameters.



APPLICATION & ASSEMBLY

ADJUSTABLE QUICK-LOCK® UNIBAR® CENTRALIZERS are made of lightweight, durable, non-corrosive plastic and consist of two identical halves that are fast and easy to snap together. The adjustable centering device will accommodate single bar, single and multi-strand anchors, encapsulated anchors (DCP), and are suitable for steel or plastic pipe applications. The adjustable UNIBAR® can be attached with zip ties or tie wire, and are offset to fit between rebar threads. They are lightweight, economical and do not require nuts or bolts for installation. There are 3 different new parts to fit shafts ranging from an O.D. of 10" to 24". All 3 parts are adjustable to fit bar sizes #6 thru #18:

Part No.	Description
1011-6/18UBC	10/11" shafts fits bar sizes #6 thru #18
1415-6/18UBC	14/15" shafts fits bar sizes #6 thru #18
1617-6/18UBC	16/17" shafts fits bar sizes #6 thru #18

100 parts per bag. Bag weight approx. 22 pounds.
 16 bags per pallet.

MANUFACTURER and ORDERING

For detailed information about the ADJUSTABLE QUICK-LOCK® UNIBAR® CENTRALIZER and the wide range of alignment/centralizer aids for the deep foundation and earth retention industries visit or call:

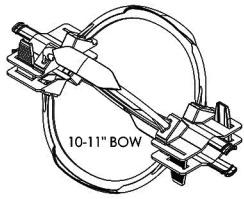
Pieresearch.com
stanagee@pieresearch.com
817-277-3738
501 E Main Street
Arlington, TX 76010

Visit our website for for spec kits, how to videos and ordering information. All Pieresearch concrete accessories are proudly made in the United States of America.

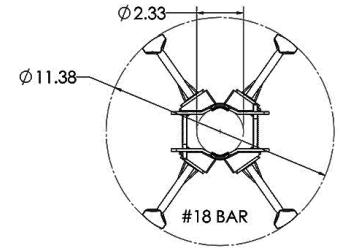
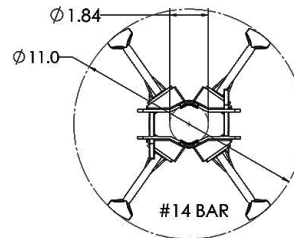
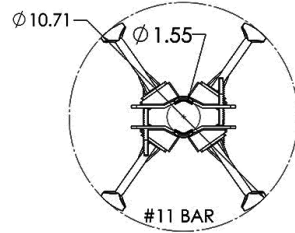
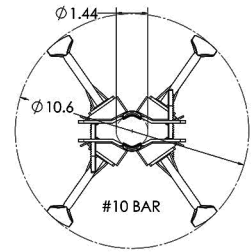
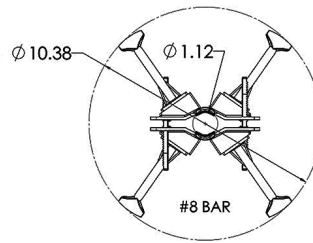
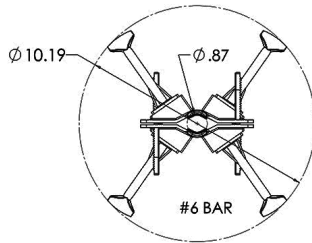
WARRANTY (ACCESSORIES)

Limited Warranty. Pieresearch warrants that Products manufactured by it will be free from defects in material and workmanship for a period of 60 days from the date of shipment. Any claim under this warranty must be made in writing within such warranty period. If any Products covered by a timely claim are found to be defective, Pieresearch will, within a reasonable time replace the Products. Unless authorized in advance by Pieresearch in writing, Pieresearch will not accept any charges for the return of any Products for warranty purposes. This limited warranty will not apply to any Products that have been subjected to misuse, neglect, storage damage, misapplication, accident or any other damage caused by any person other than Pieresearch. THIS LIMITED WARRANTY IS IN LIEU OF ALL OTHER WARRANTIES AS TO THE PRODUCTS. PIERESEARCH MAKES NO OTHER WARRANTIES OR GUARANTEES, EXPRESS OR IMPLIED, INCLUDING ANY WARRANTY OF MERCHANTABILITY, FITNESS FOR A PARTICULAR PURPOSE OR OTHERWISE. THE REMEDIES SET FORTH IN THIS SECTION ARE CUSTOMER'S EXCLUSIVE REMEDY FOR BREACH OF WARRANTY.

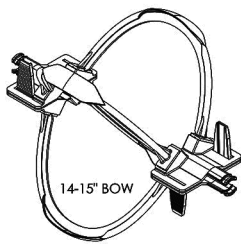
Part No. 1011-6/18UBC



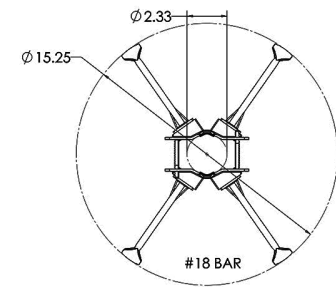
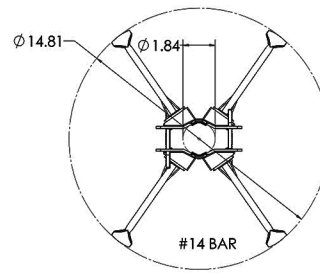
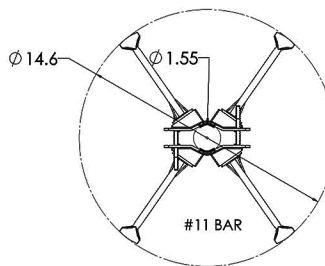
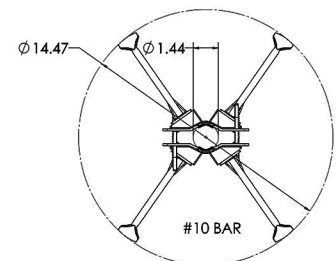
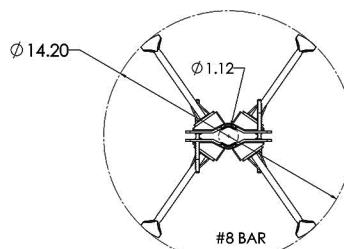
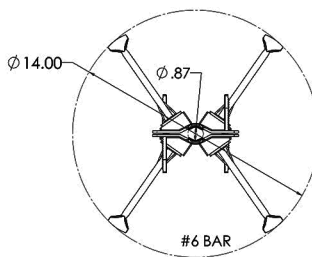
- For shafts with a 10/11" O.D.
- Fits rebar sizes #6 thru #18



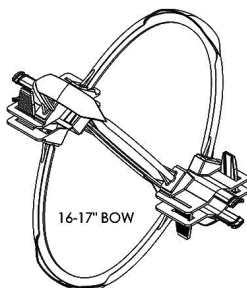
Part No. 1415-6/18UBC



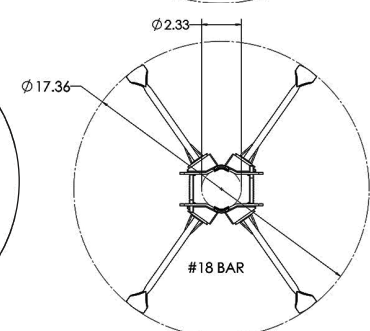
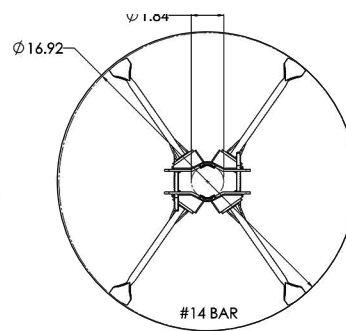
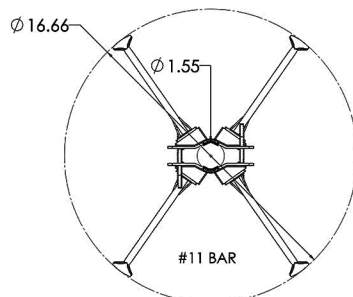
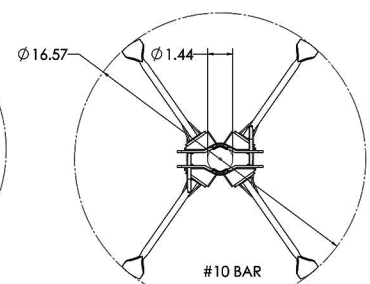
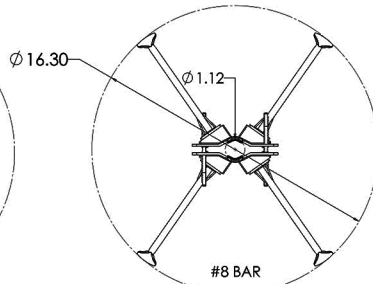
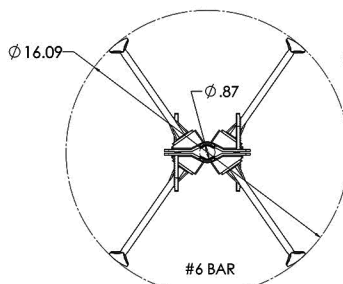
- For shafts with a 14/15" O.D.
- Fits rebar sizes #6 thru #18



Part No. 1617-6/18UBC



- For shafts with a 16/17" O.D.
- Fits rebar sizes #6 thru #18



PATENT PENDING