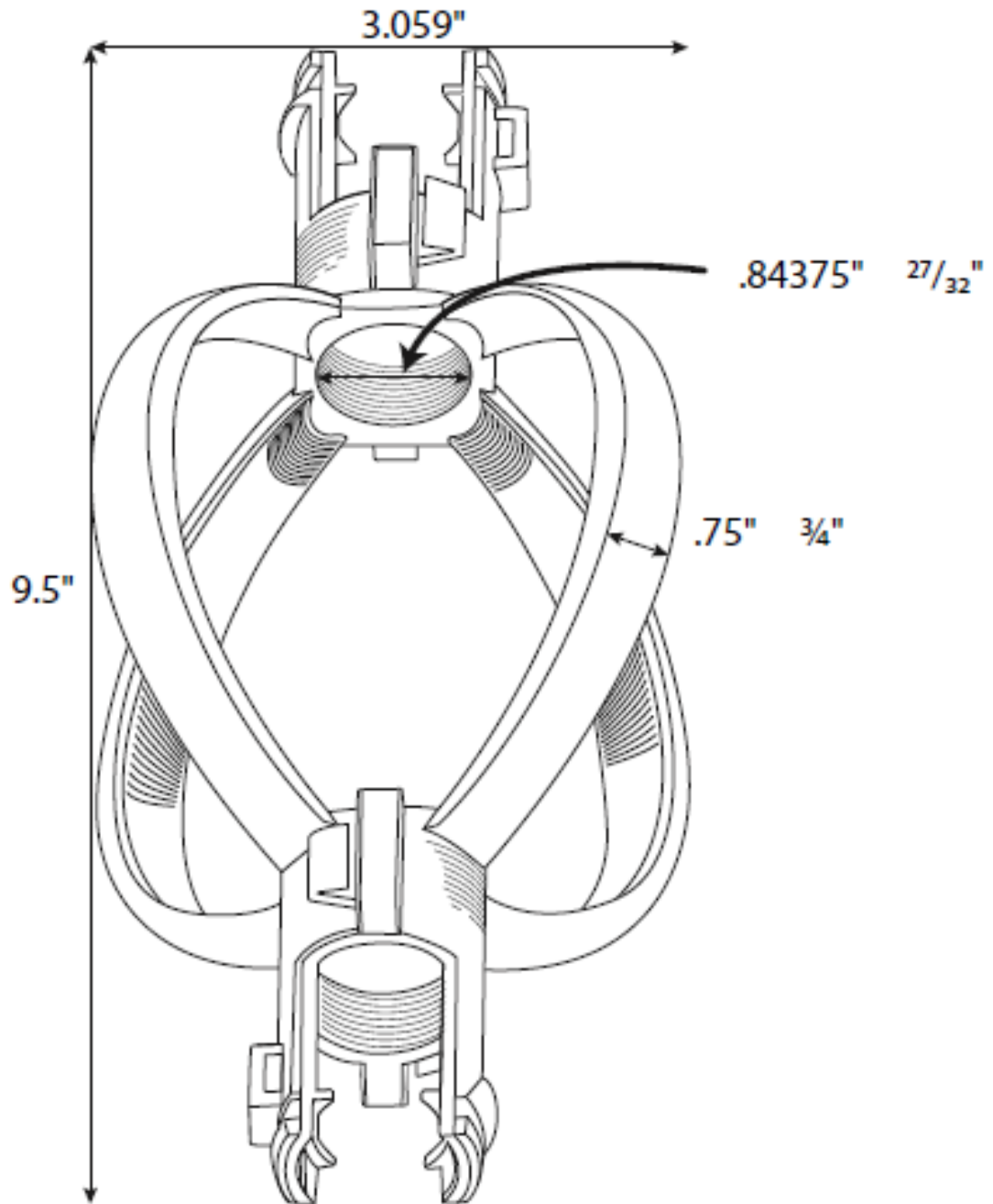




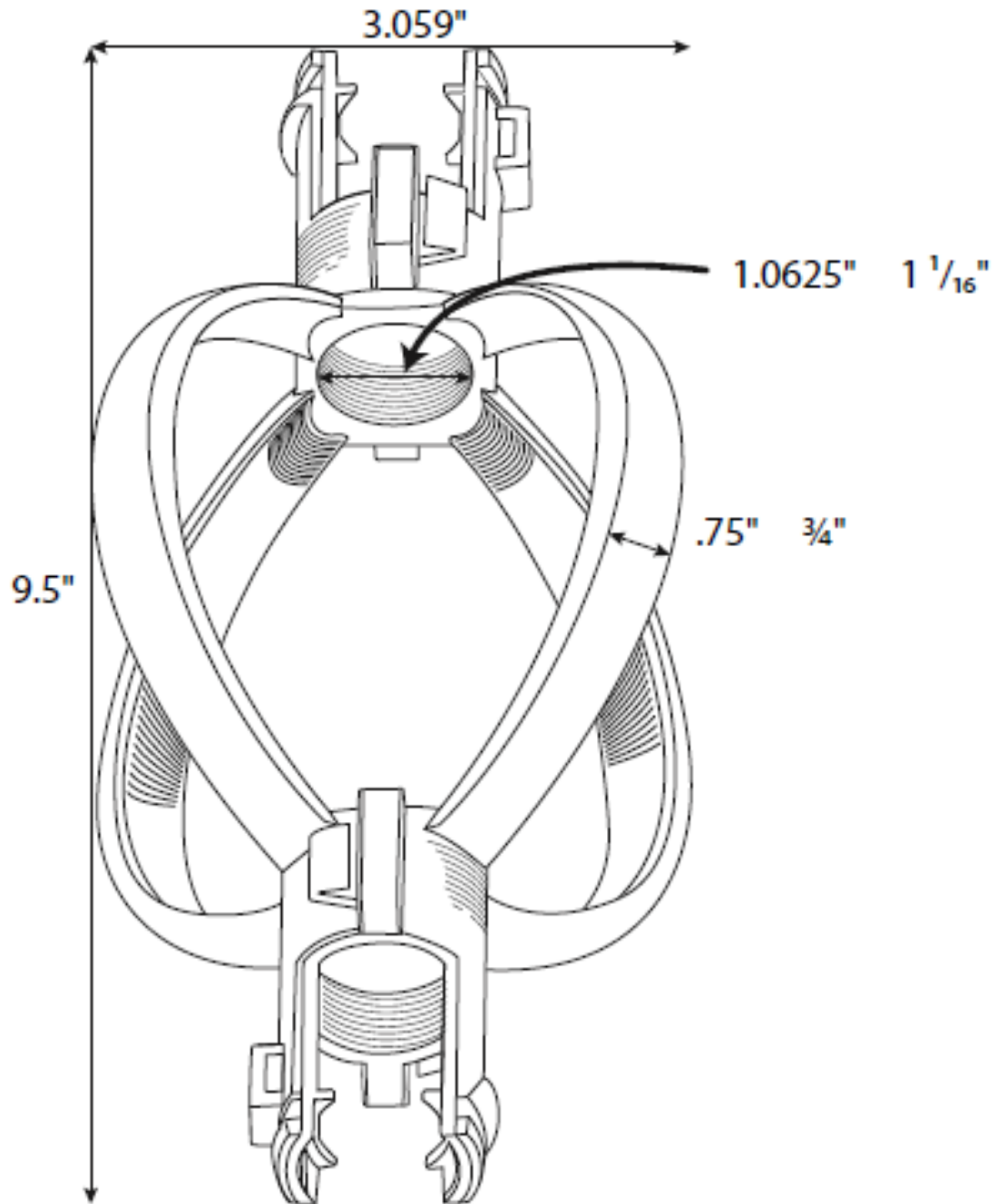
Part No. 4-6UBC  
QUICK-LOCK® UNIBAR® CENTRALIZER  
Fits #5 thru #6 Rebar



Patent No. 10,151,113



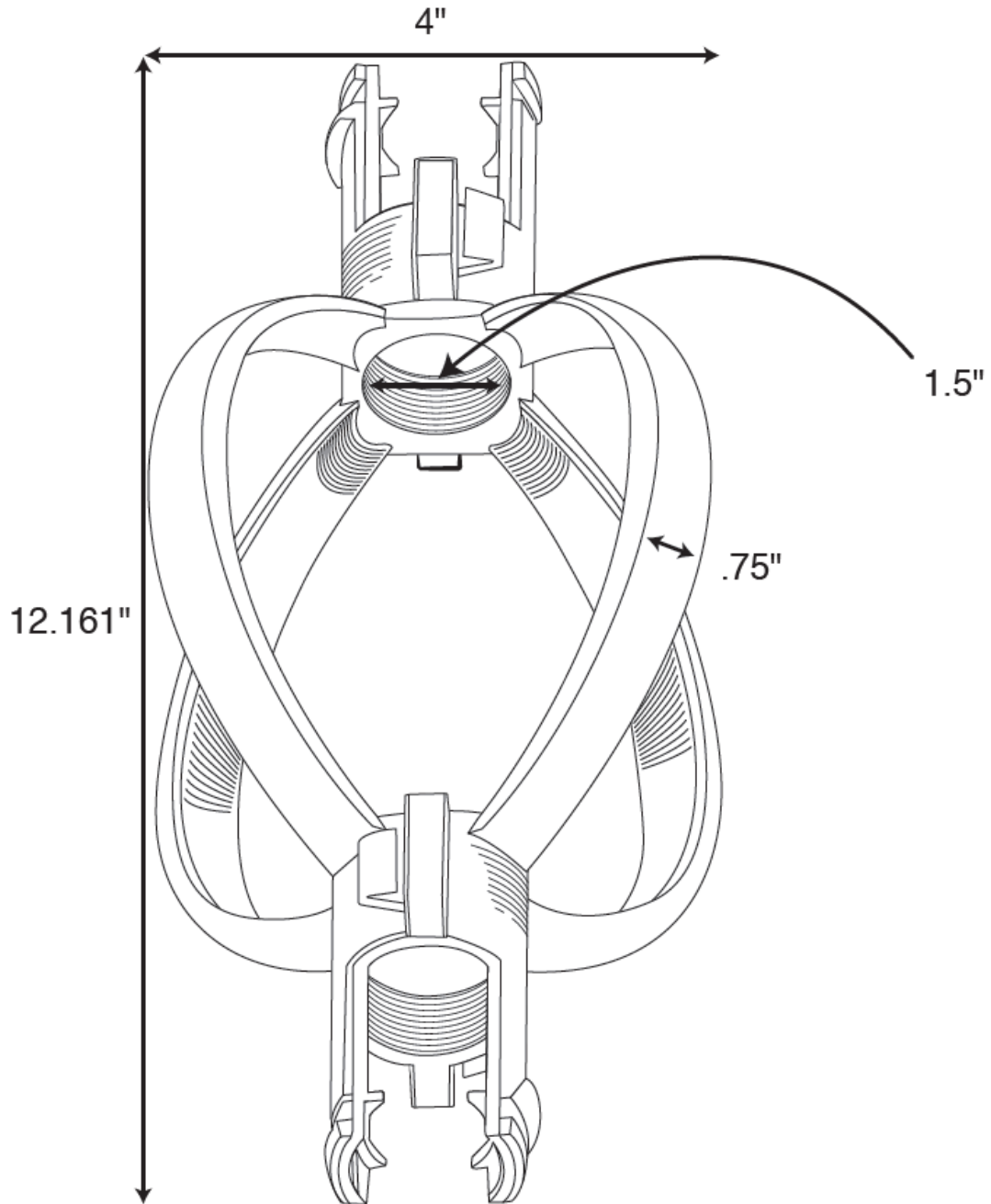
Part No. 4-8UBC  
QUICK-LOCK® UNIBAR® CENTRALIZER  
Fits #7 thru #8 Rebar



Patent No. 10,151,113



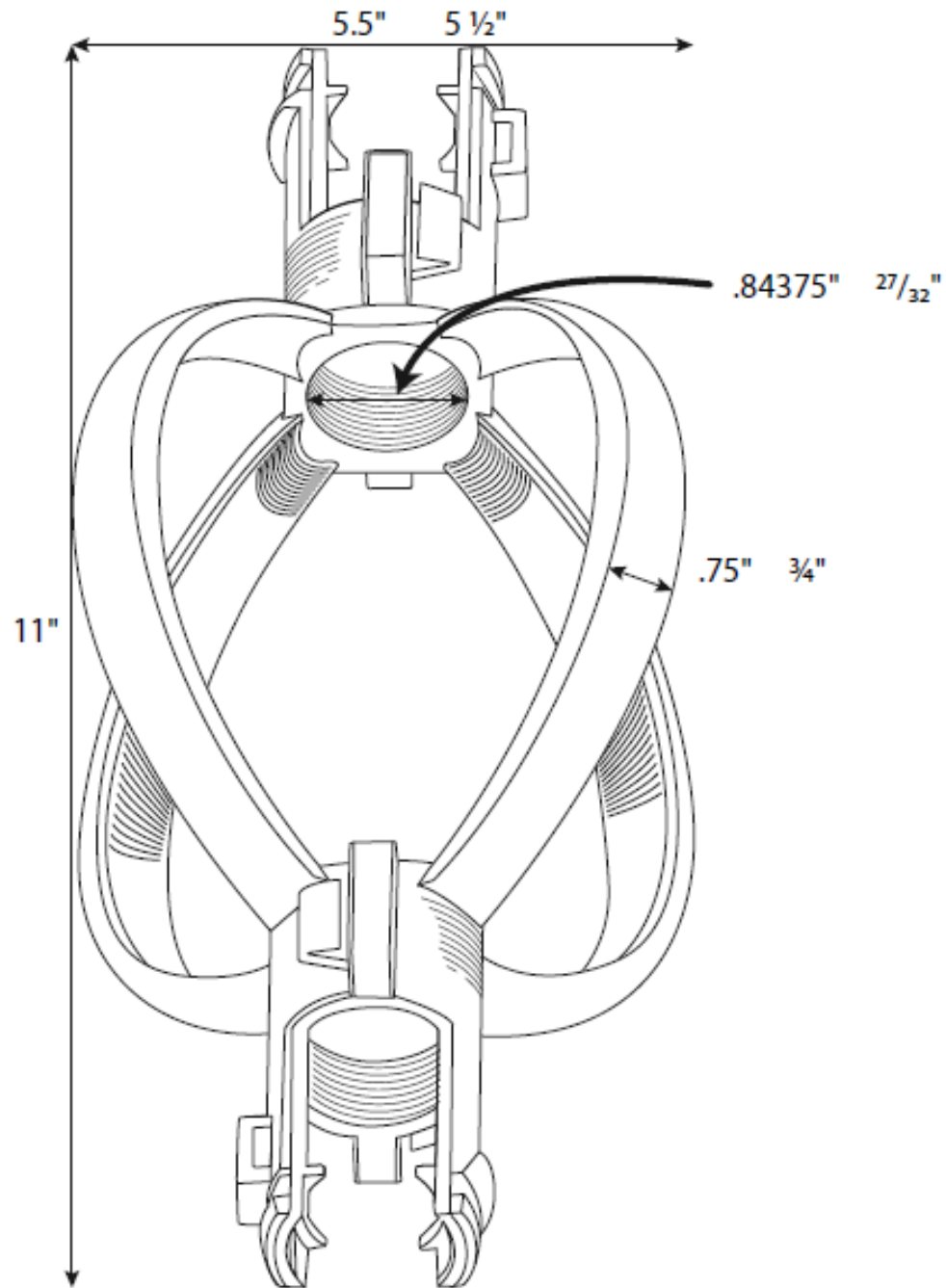
**Part No. 4-1.5IN-UBC**  
**QUICK-LOCK® UNIBAR® CENTRALIZER**  
**4" O.D. with 1.5" I.D. Hub**



**Patent No. 10,151,113**



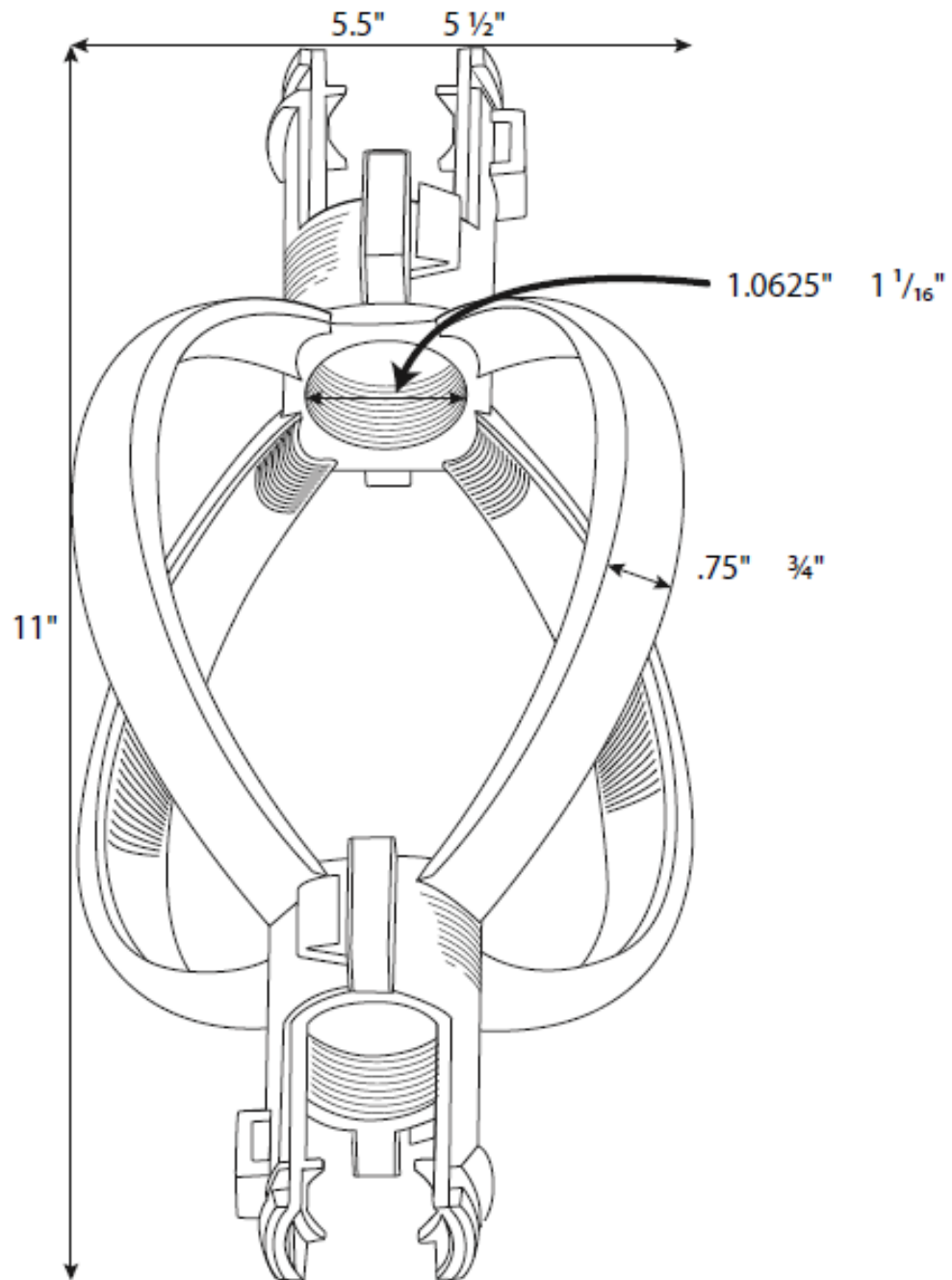
Part No. 6-6UBC  
QUICK-LOCK® UNIBAR® CENTRALIZER  
Fits #5 thru #6 Rebar



Patent No. 10,151,113



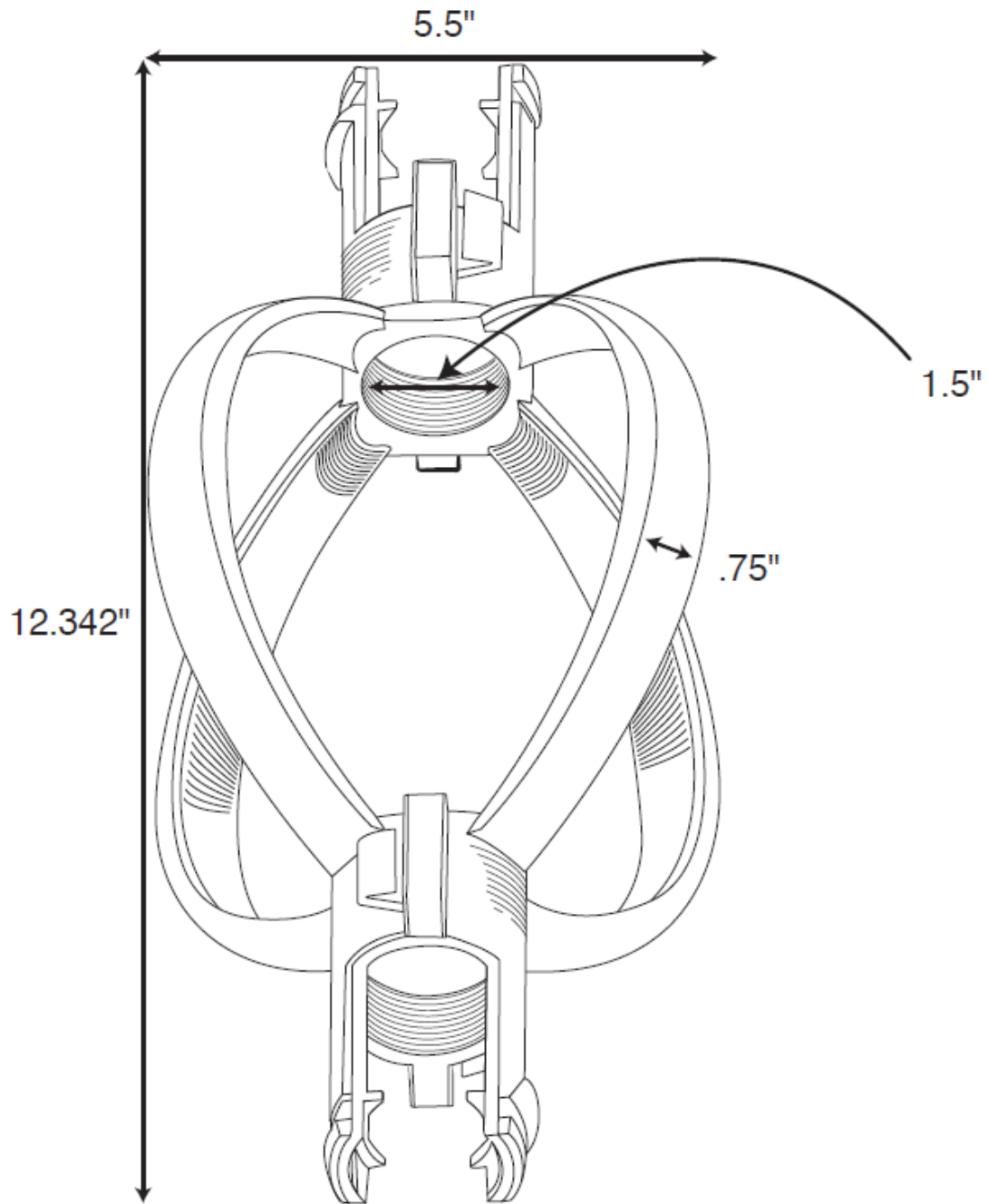
**Part No. 6-8UBC**  
**QUICK-LOCK® UNIBAR® CENTRALIZER**  
**Fits #7 thru #8 Rebar**



**Patent No. 10,151,113**



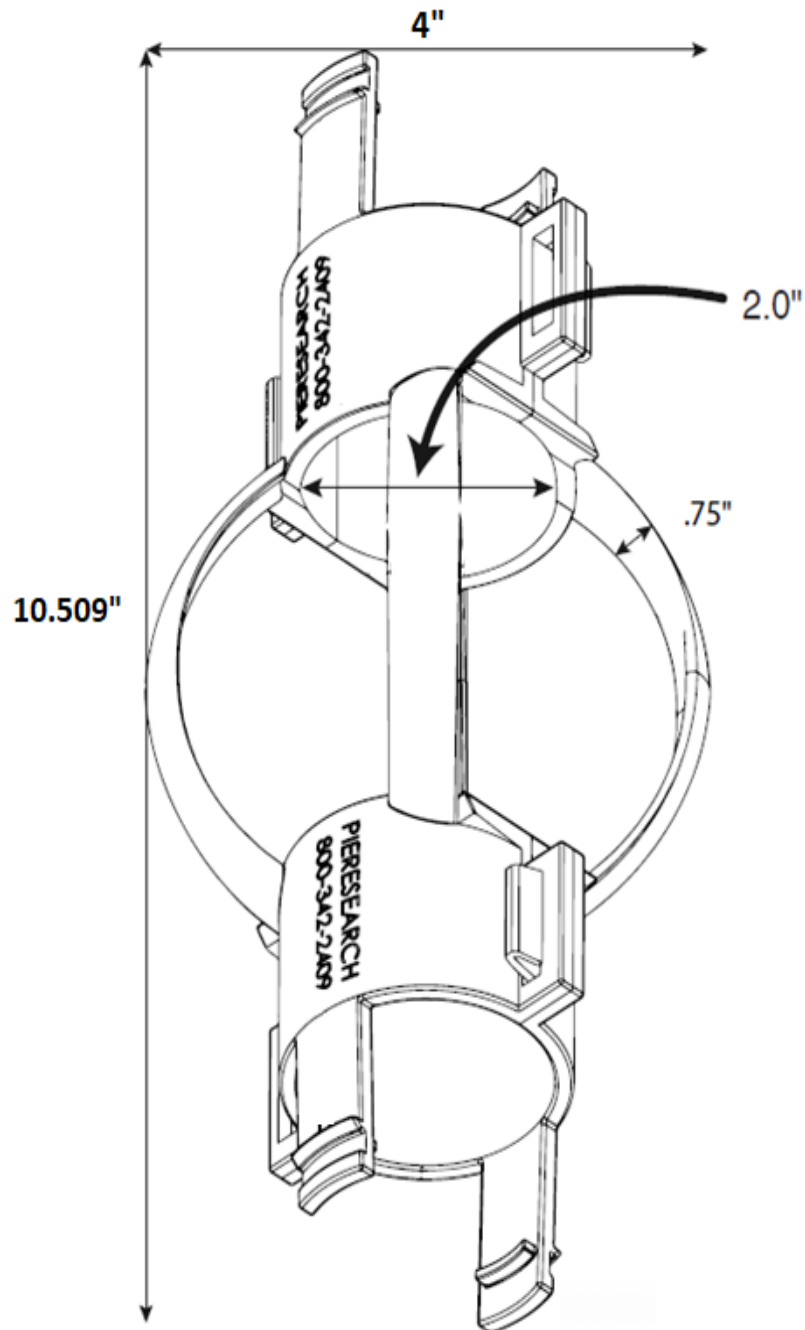
**Part No. 6-1.5IN-UBC**  
**QUICK-LOCK® UNIBAR® CENTRALIZER**  
**6" O.D. with 1.5" I.D. Hub**



**Patent No. 10,151,113**



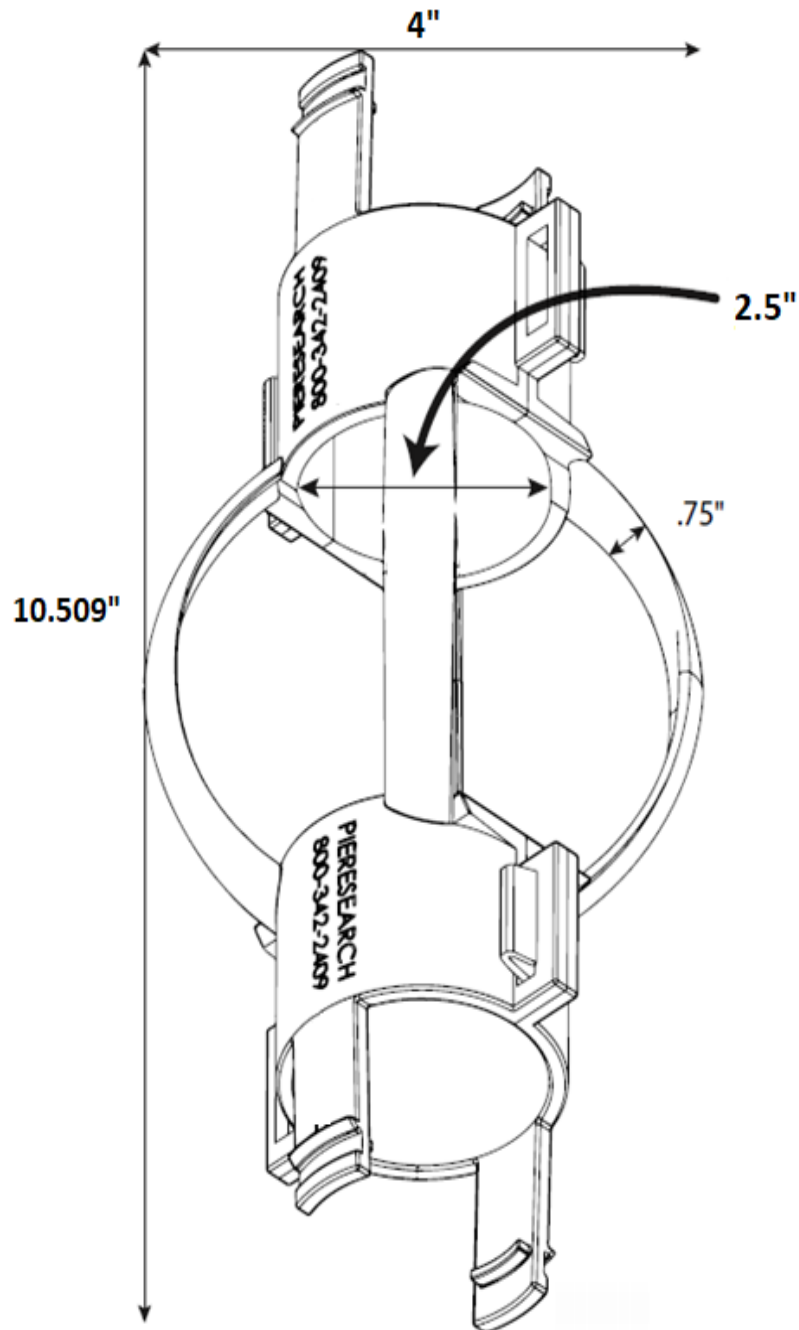
Part No. 4-2IN-UBC  
QUICK-LOCK® UNIBAR® CENTRALIZER  
4" O.D. with 2" I.D. Hub



Patent No. 10,151,113



Part No. 4-2.5IN-UBC  
QUICK-LOCK® UNIBAR® CENTRALIZER  
4" O.D. with 2.5" I.D. Hub

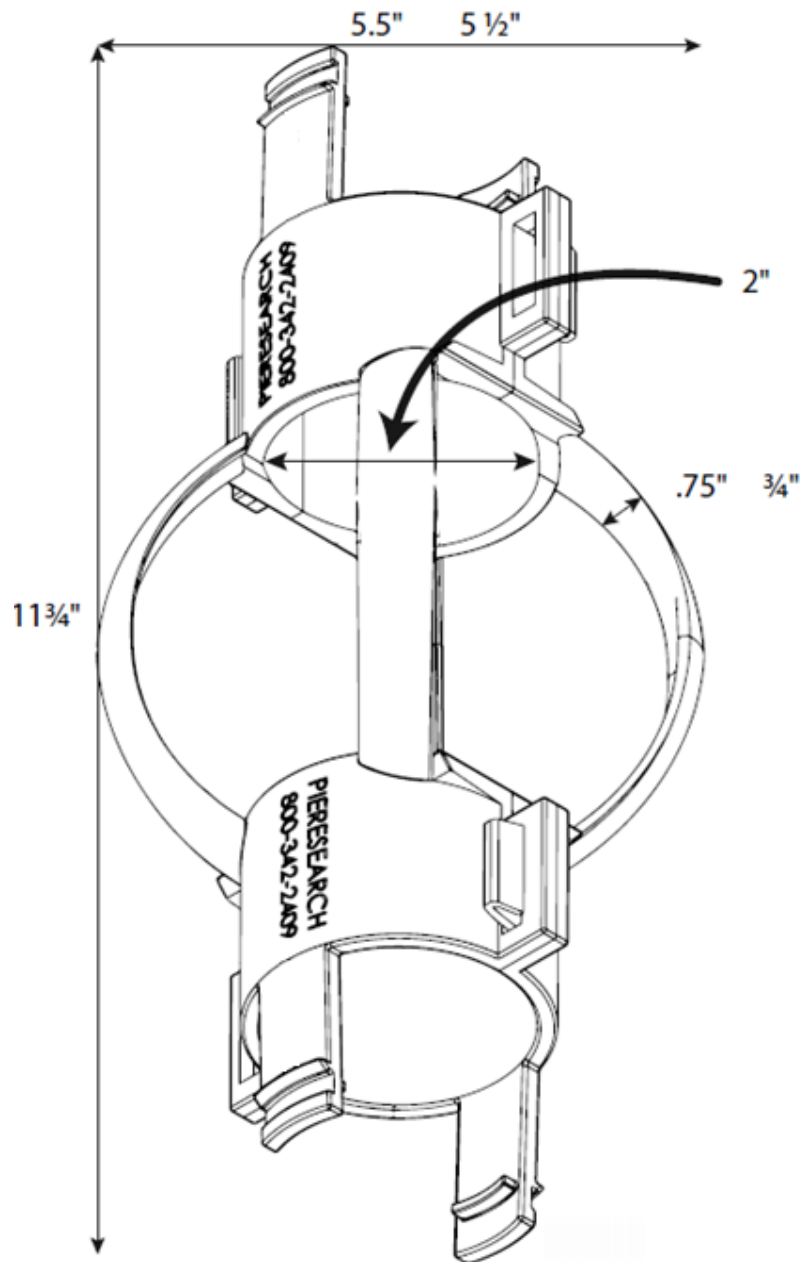


Patent No. 10,151,113





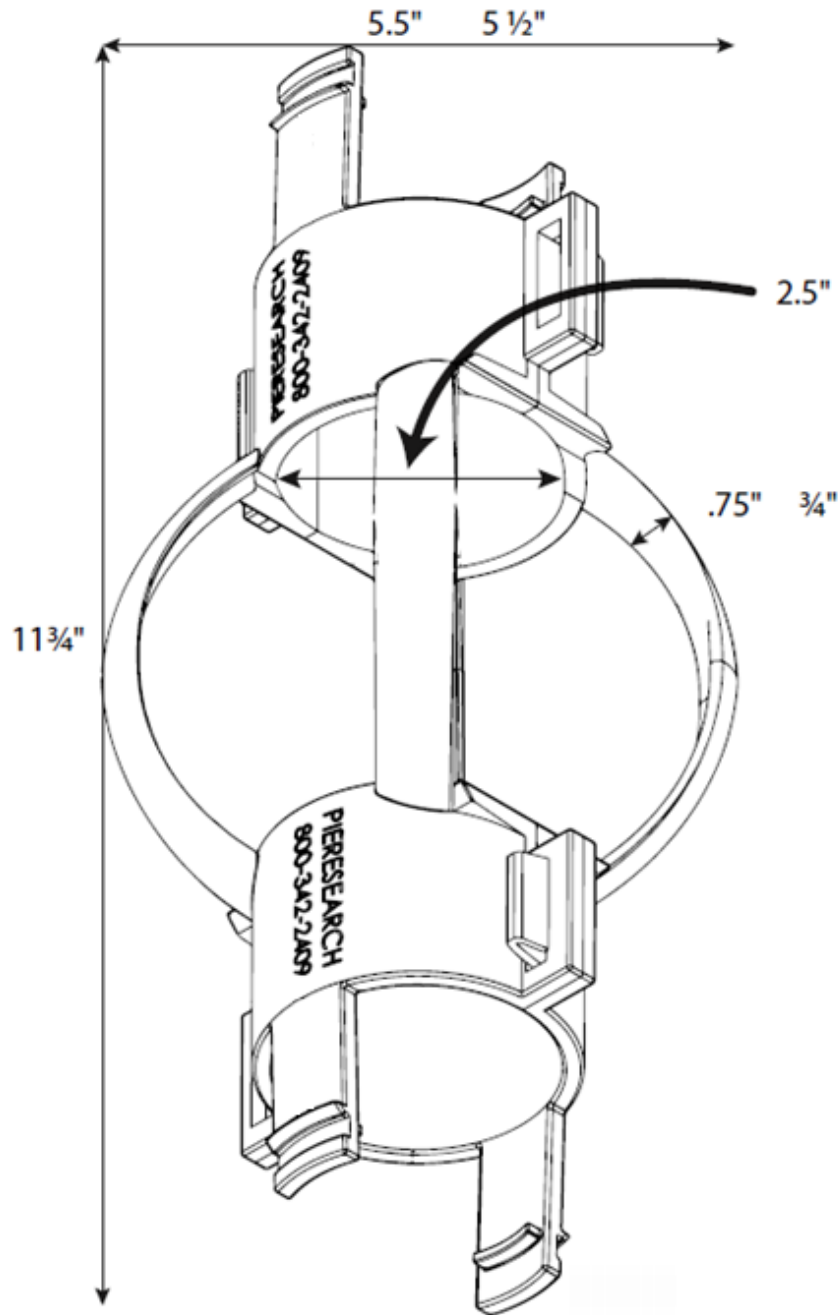
Part No. 6-2IN-UBC  
QUICK-LOCK® UNIBAR® CENTRALIZER  
6" O.D. with 2" I.D. Hub



Patent No. 10,151,113



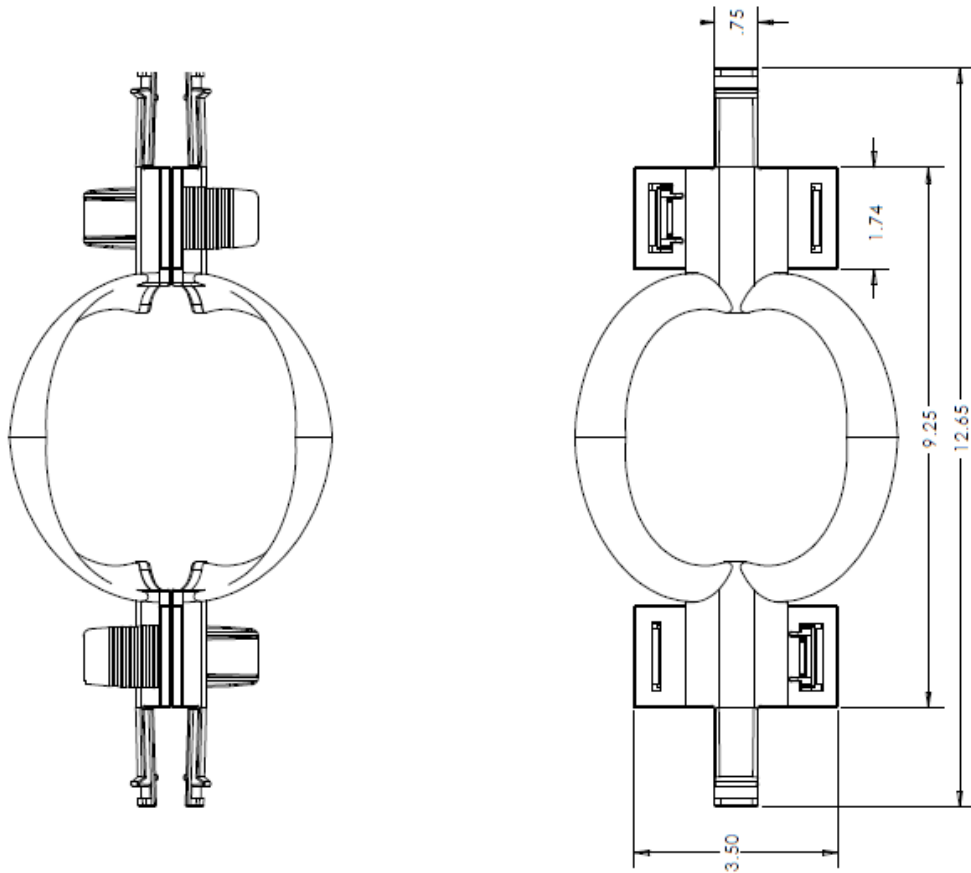
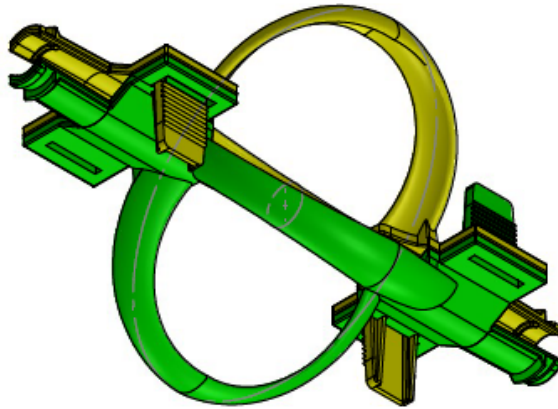
Part No. 6-2.5IN-UBC  
QUICK-LOCK® UNIBAR® CENTRALIZER  
6" O.D. with 2.5" I.D. Hub



Patent No. 10,151,113



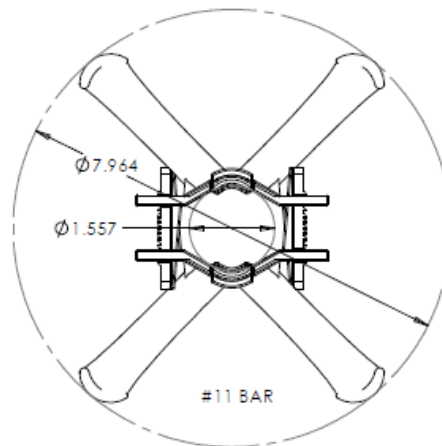
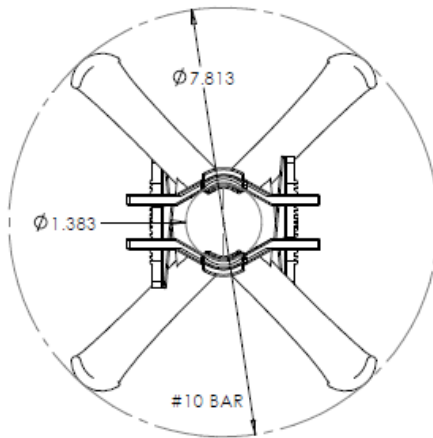
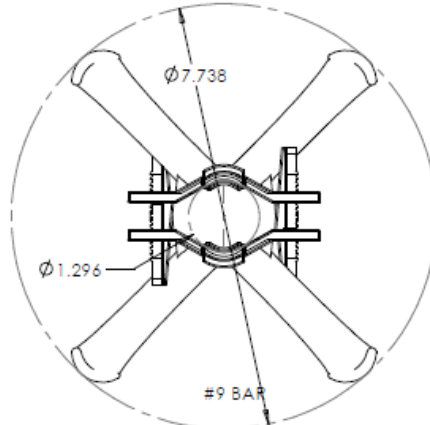
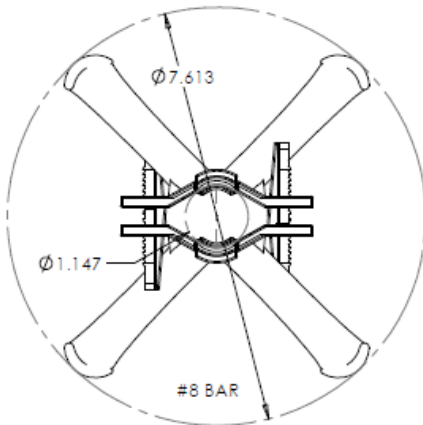
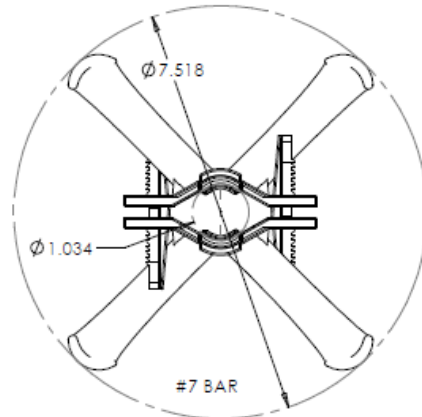
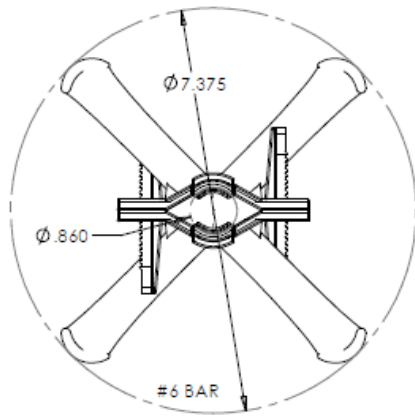
Part No. 8-6/11UBC  
**QUICK-LOCK® UNIBAR® CENTRALIZER**  
8" O.D. with Adjustable I.D. Hub #6 thru #11



**Patent Pending**



Part No. 8-6/11UBC  
**QUICK-LOCK® UNIBAR® CENTRALIZER**  
8" O.D. with Adjustable I.D. Hub #6 thru #11



**Patent Pending**