

Revolutionary New Quick-Lock® & Adjustable Quick-Lock® Unibar® Centralizers

**Soil Nailing - Tendon/Rebar
Alignment Support**

QUICK-LOCK® and ADJUSTABLE QUICK-LOCK® UNIBAR® CENTRALIZERS

The answer to uniform reinforcement steel spacing requirements in single-bar foundation/tieback elements. To achieve proper design strength in any drilled and grouted/concreted hole, the tendon/rebar or anchor material must be centered in the shaft to allow minimum coverage throughout the length of the element.

APPLICATION

QUICK-LOCK® and ADJUSTABLE QUICK-LOCK® UNIBAR® CENTRALIZERS are designed to keep the tendon/bar centered in the bore/drill hole to allow for minimum grout/concrete coverage and do not impede flow of grout within bore/drill hole and around tendon. They are made of durable non-corrosive plastic and consisting of two identical halves that are fast and easy to snap together. QUICK-LOCK® and ADJUSTABLE QUICK-LOCK® UNIBAR® CENTRALIZERS will accommodate Single Bar, Multi-Bar/Strand Anchors, Encapsulated (DCP) Anchors, and Steel or Plastic Pipe Applications. They are ideal for Soil Nails, Rock/Soil Anchors, Micro-Piles, and Auger-Cast Piles with single tension bars.



PLACEMENT

The lowest QUICK-LOCK® and ADJUSTABLE QUICK-LOCK® UNIBAR® CENTRALIZER should be installed approximately 1 foot from the end of the tendon/bar material. Each successive UNIBAR® CENTRALIZER should be placed at no greater than 10-foot intervals. The upper UNIBAR® CENTRALIZER should be approximately 1 foot below grout/concrete surface.



ADVANTAGES

- 2 identical halves
- easy to snap together
- made of durable non-corrosive plastic
- can be attached with zip ties or tie wire
- offset to fit between rebar threads
- keeps single tendon/bar centered within a drill hole
- ideal for soil nail applications
- no nuts or bolts required
- lightweight and economical

ASSEMBLY

Quickly assemble the QUICK-LOCK® and ADJUSTABLE QUICK-LOCK® UNIBAR® CENTRALIZER by easily snapping the two identical halves together over the tendon/rebar and tying it on with tie wire.

Part No.

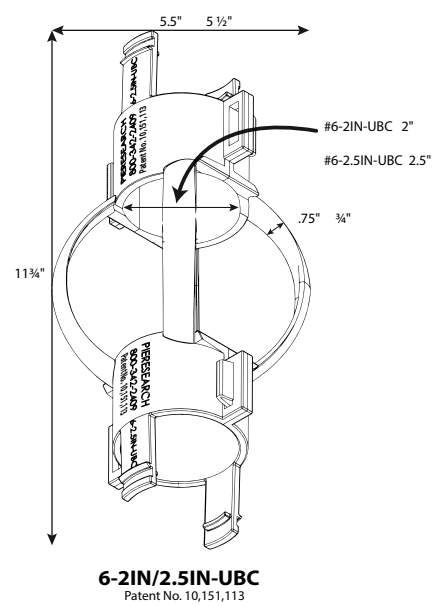
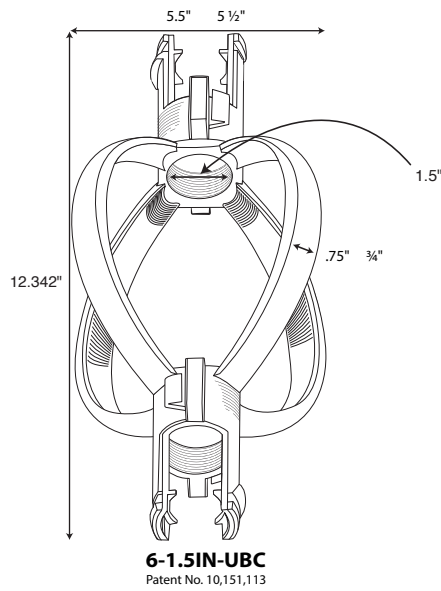
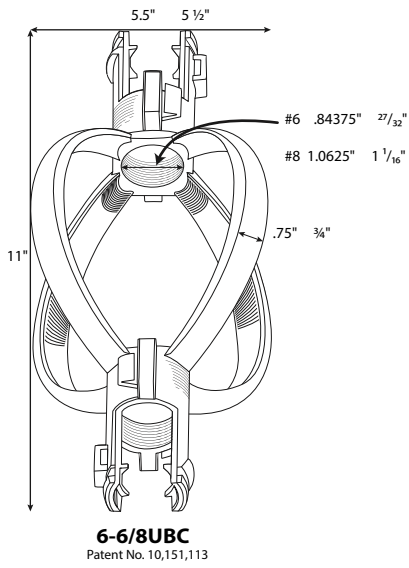
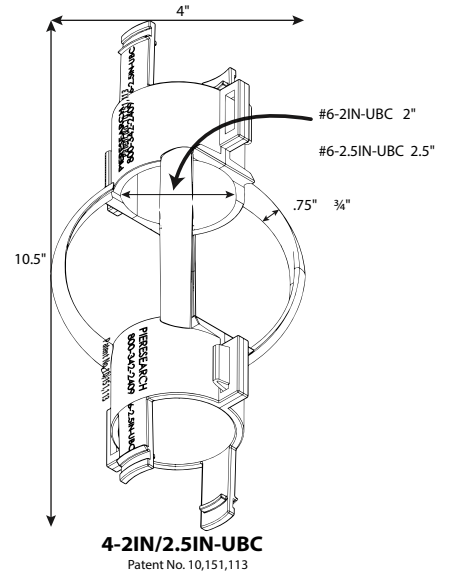
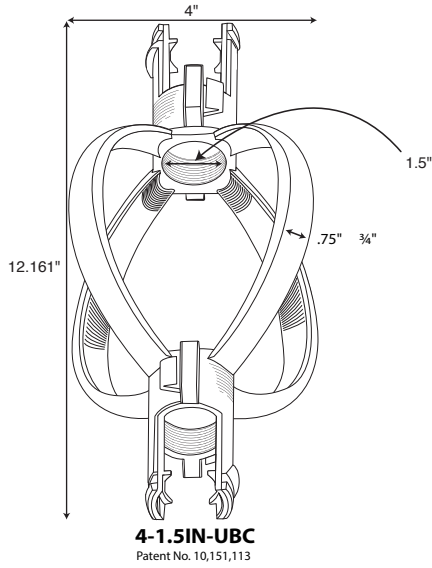
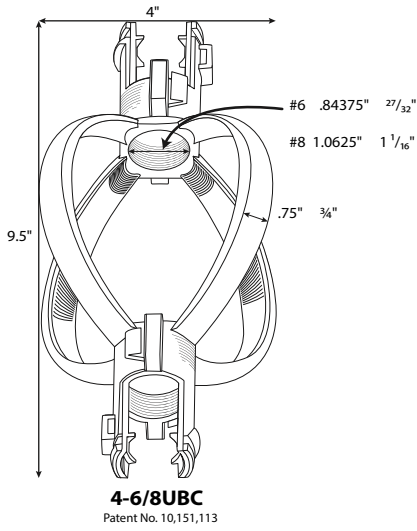
Description

4-6UBC	4" O.D. fits rebar sizes #5 thru #8
4-8UBC	4" O.D. fits rebar sizes #7 thru #8
4-1.5IN-UBC	4" O.D. with 1.5" I.D. Hub
4-2IN-UBC	4" O.D. with 2" I.D. Hub
4-2.5IN-UBC	4" O.D. with 2.5" I.D. Hub
6-6UBC	6" O.D. fits rebar sizes #5 thru #6
6-8UBC	6" O.D. fits rebar sizes #7 thru #8
6-1.5IN-UBC	6" O.D. with 1.5" I.D. Hub
6-2IN-UBC	6" O.D. with 2" I.D. Hub
6-2.5IN-UBC	6" O.D. with 2.5" I.D. Hub
8-6/11UBC	8" O.D. adjustable I.D. Hub fits rebar sizes #6 thru #11

PIERESEARCH®
Manufacturer of Quality Concrete Accessories
Proudly Made in the USA!

**See the following page for more
Unibar® information**

UNIBAR® CENTRALIZER



ADJUSTABLE UNIBAR® CENTRALIZER

