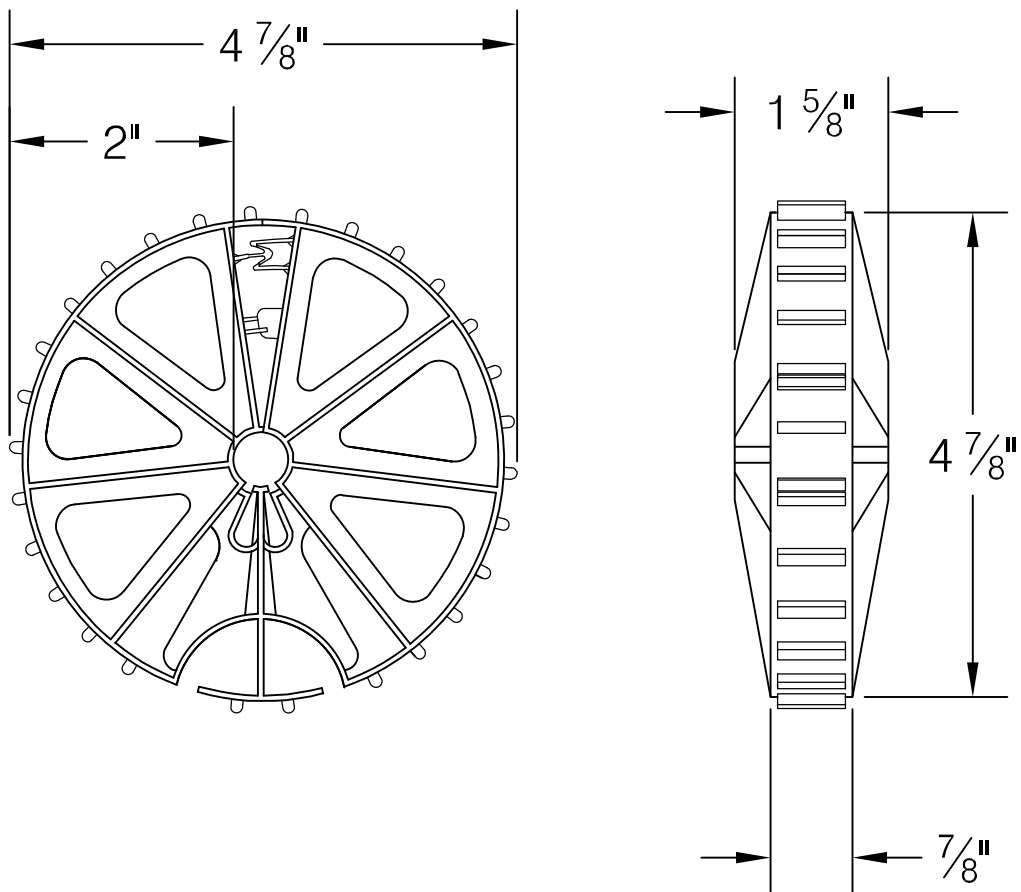
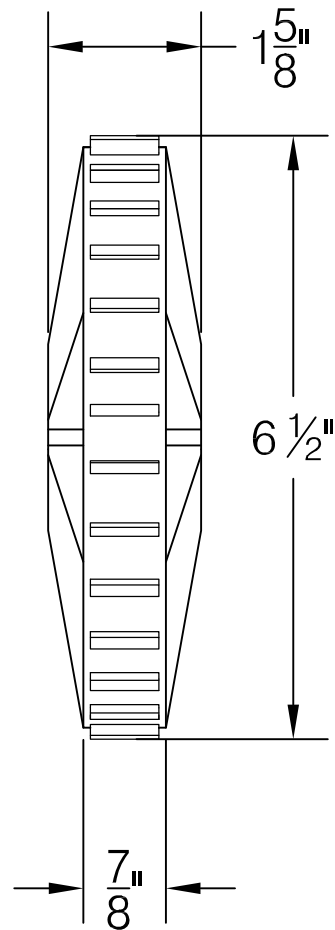
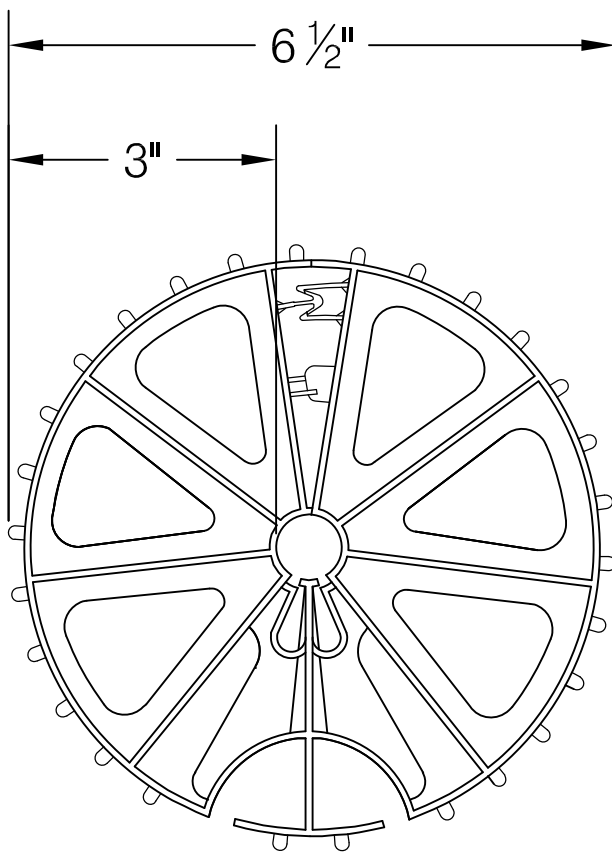


Part No.4QLPW  
Quick-Lock Pier Wheel  
provides 2 inches of concrete cover and fits rebar sizes #3 thru #7



Part No. 6QLPW  
Quick-Lock Pier Wheel

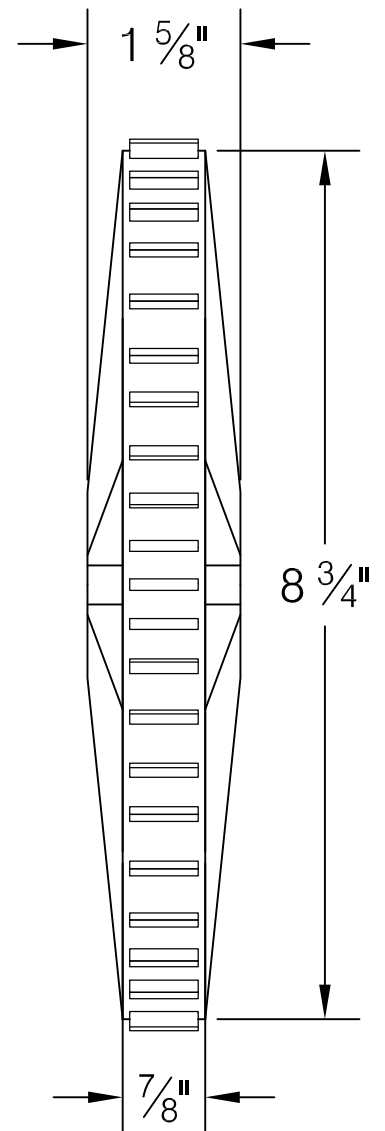
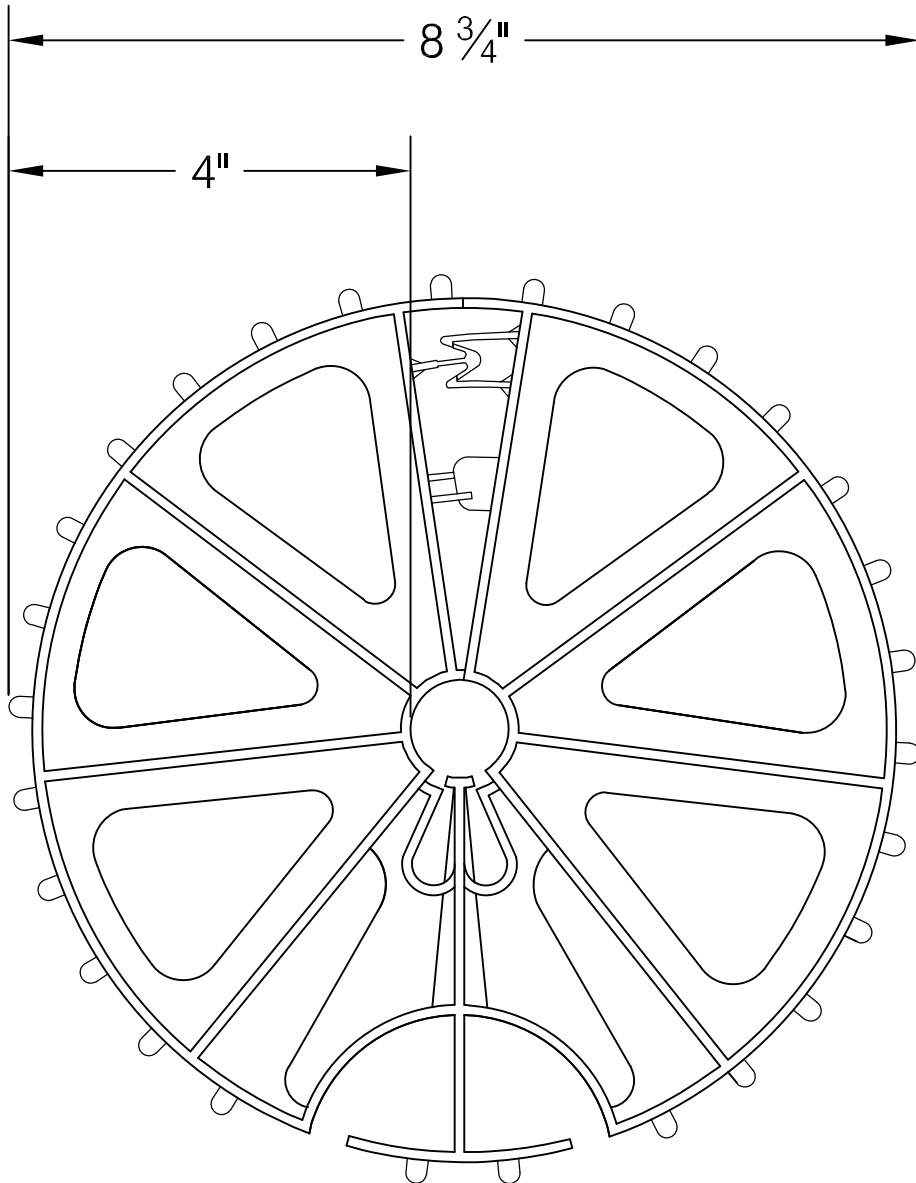
provides 3 inches of concrete cover and fits rebar sizes #3 thru #5



Part No. 8QLPW

## Quick-Lock Pier Wheel

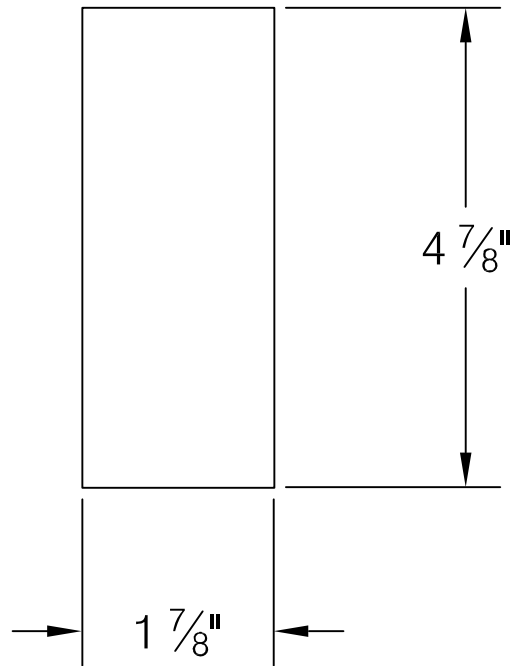
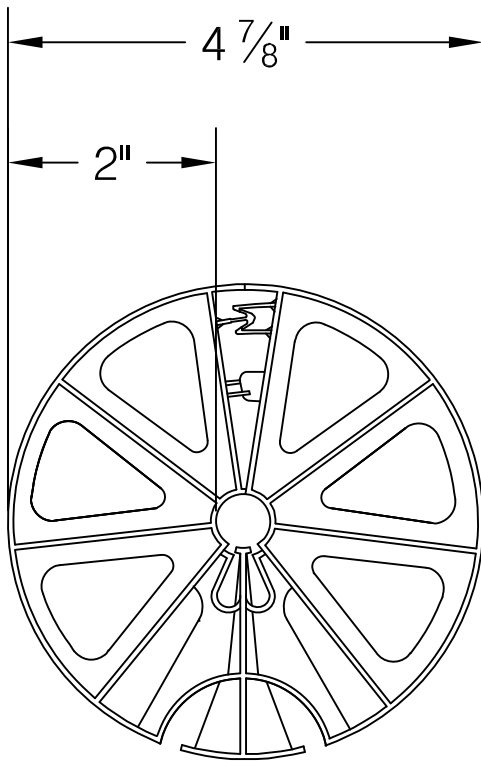
provides 4 inches of concrete cover and fits rebar sizes #3 thru #7



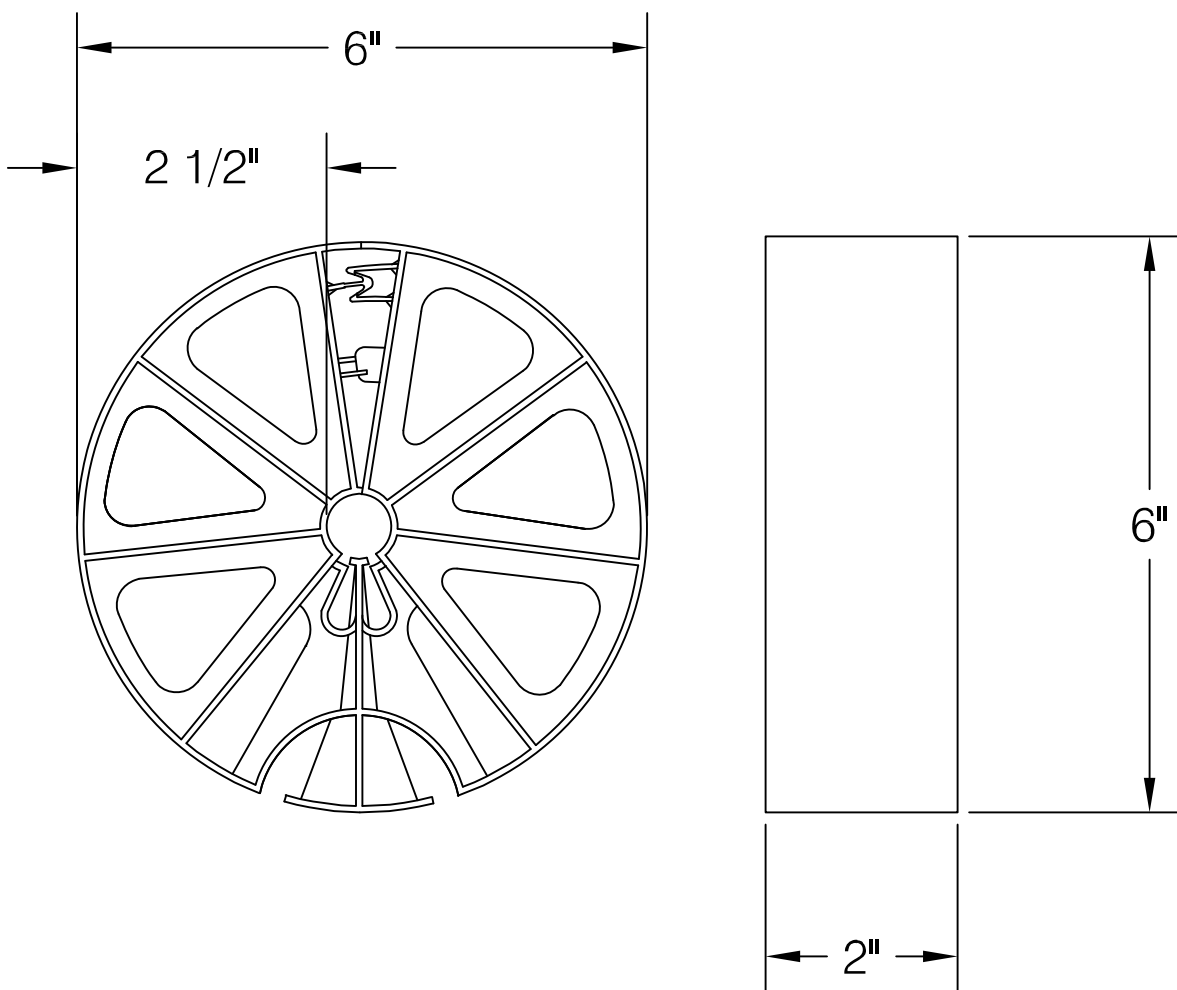
Part No. 4QLHD

### Quick-Lock Heavy Duty Pier Wheel

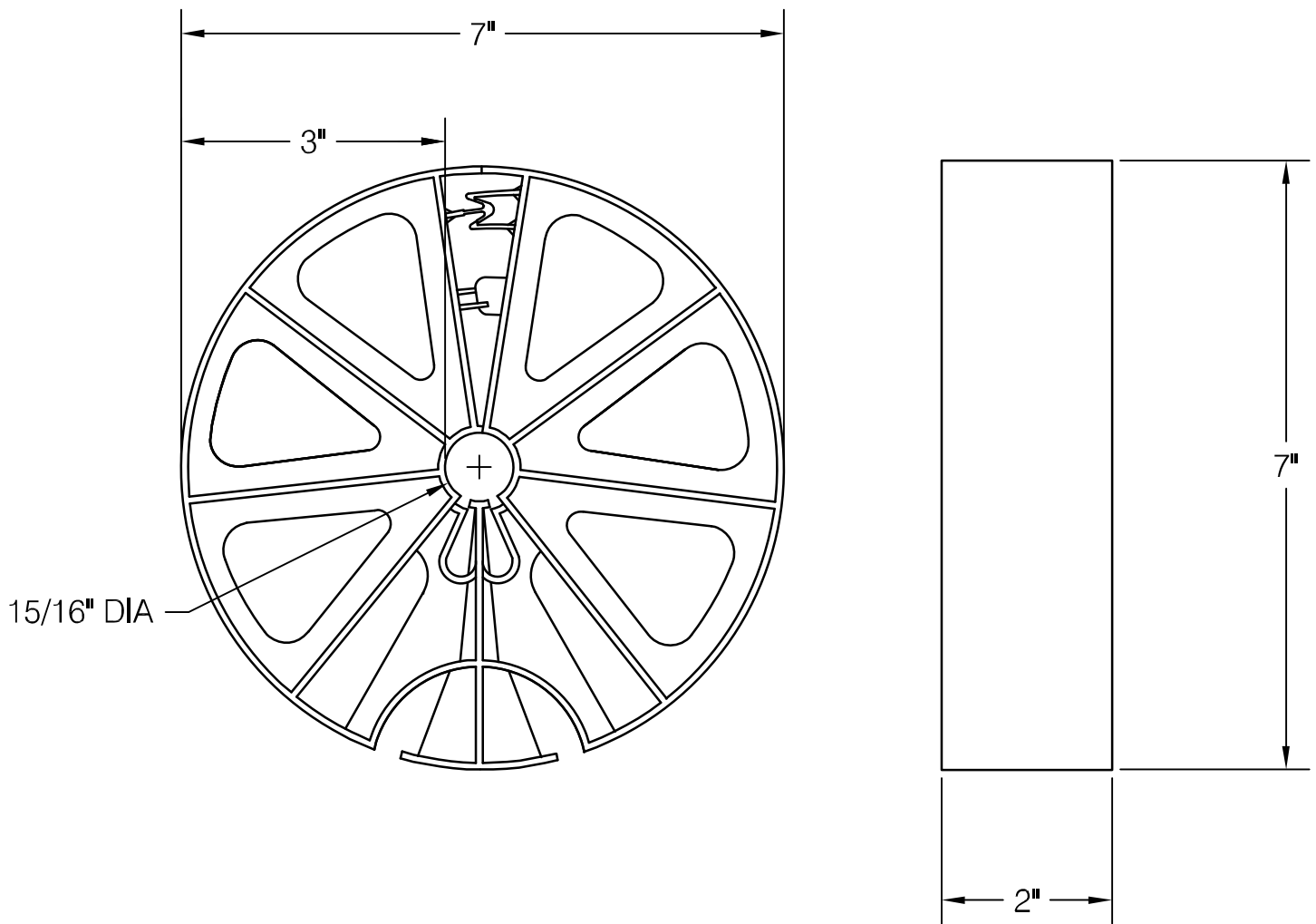
provides 2 inches of concrete cover and fits rebar size #3 thru #7



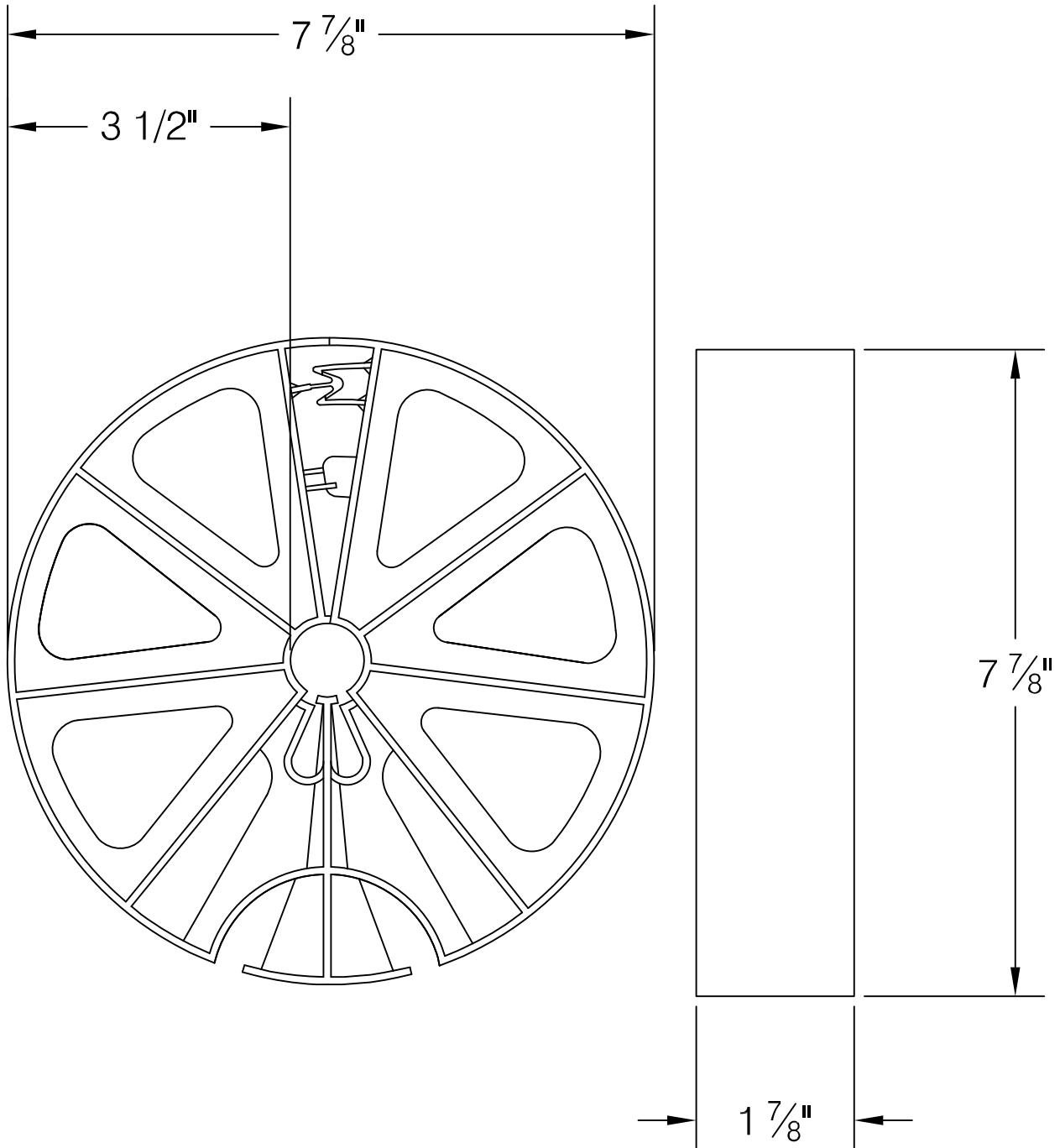
Part No. 6QLHD  
Quick-Lock Heavy Duty Pier Wheel  
provides 3 inches of concrete cover and fits rebar sizes #3 thru #7



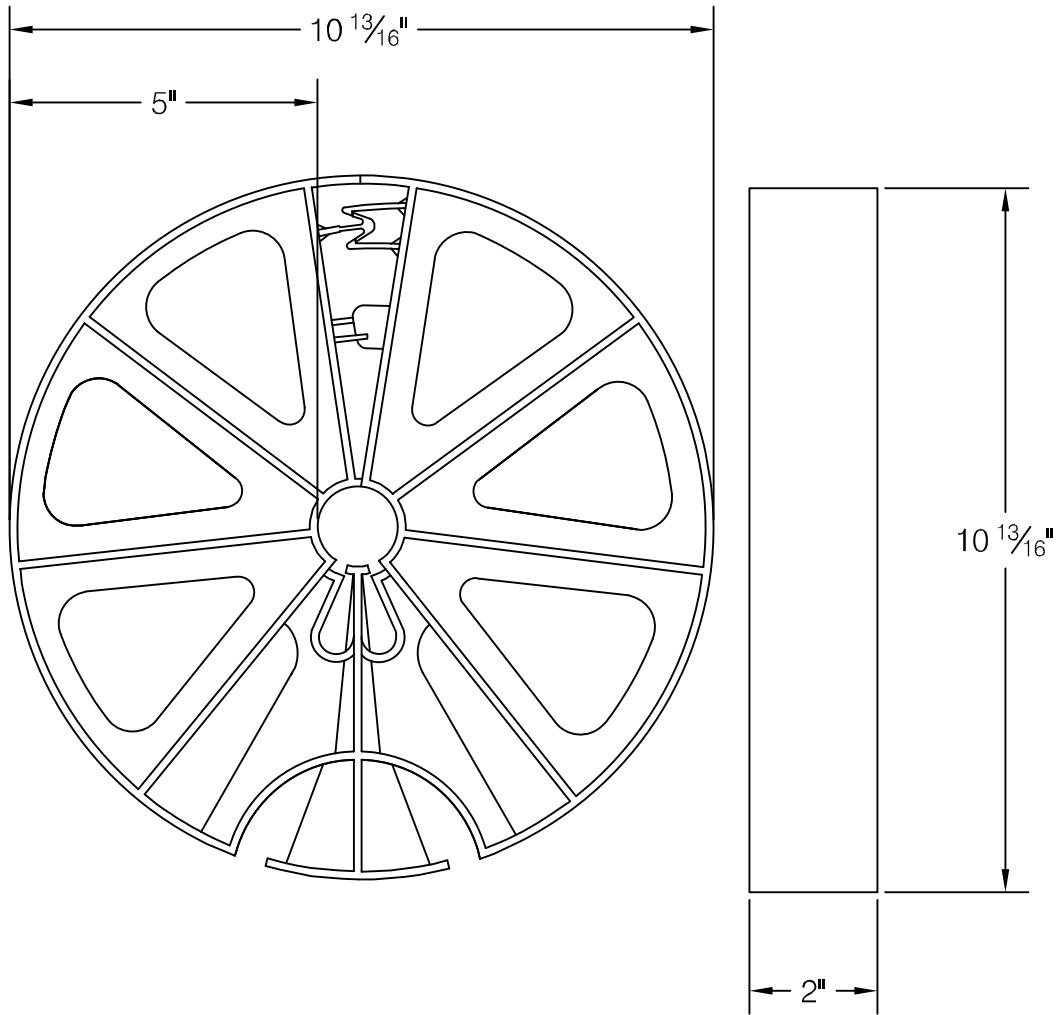
Part No. 7QLHD  
7" Quick-Lock Heavy Duty Pier Wheel  
provides 3" inches of concrete cover and fits rebar sizes #3 thru #7



Part No. 8QLHD  
Quick-Lock Heavy Duty Pier Wheel  
provides 4 inches of concrete cover and fits rebar sizes #3 thru #7



Part No. 12QLHD  
Quick-Lock Heavy Duty Pier Wheel  
provides 6 inches of concrete cover and fits rebar sizes #3 thru #7

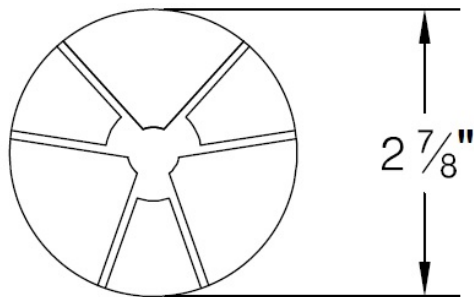
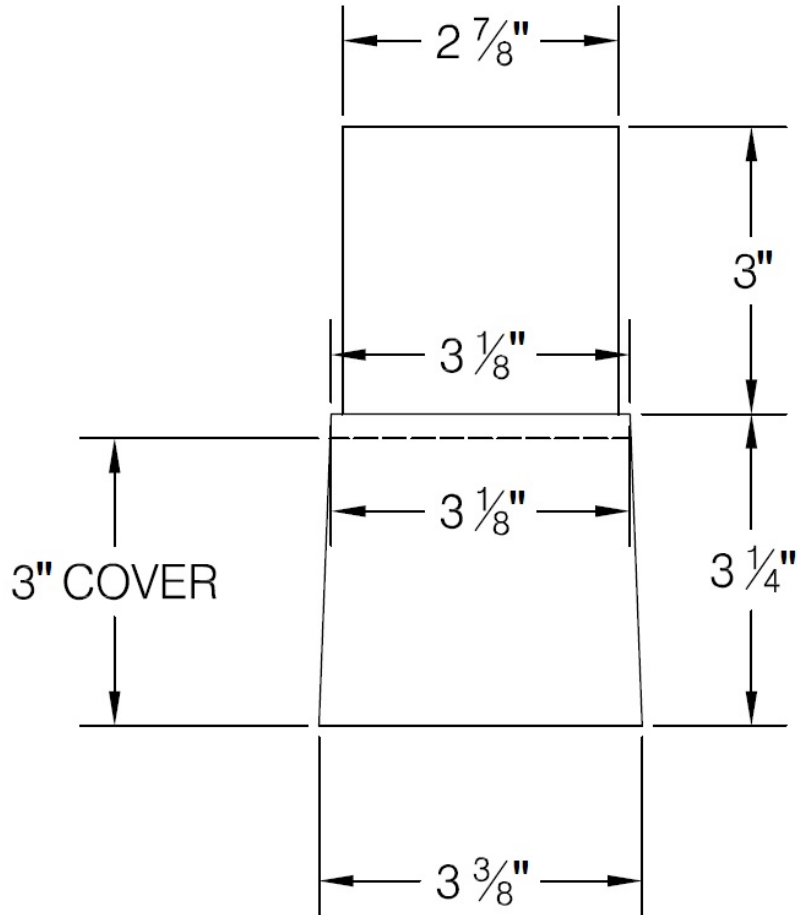




Part No. 3PB

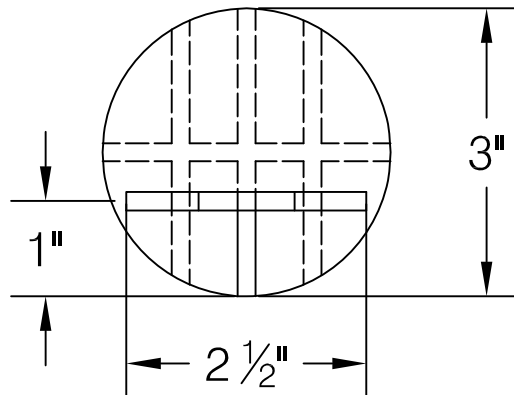
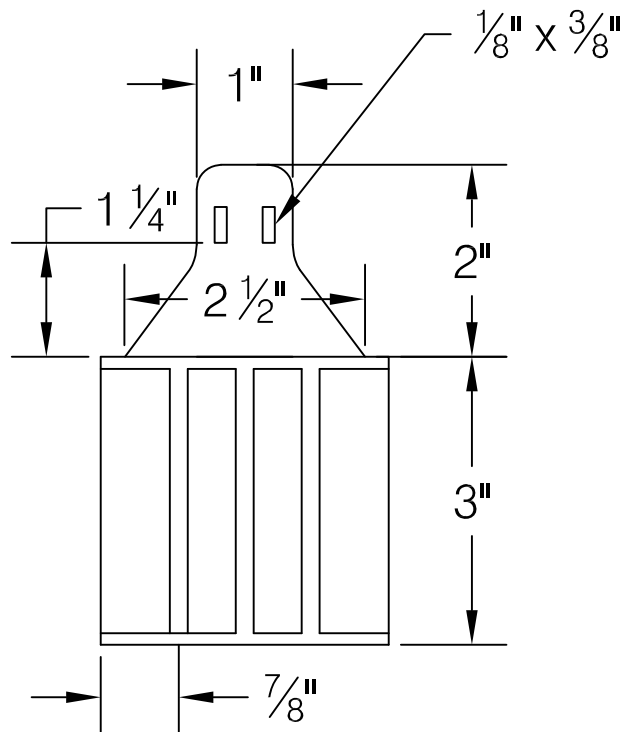
### Pier Boot

provides 3 inches of concrete cover and fits rebar sizes #5 thru #14



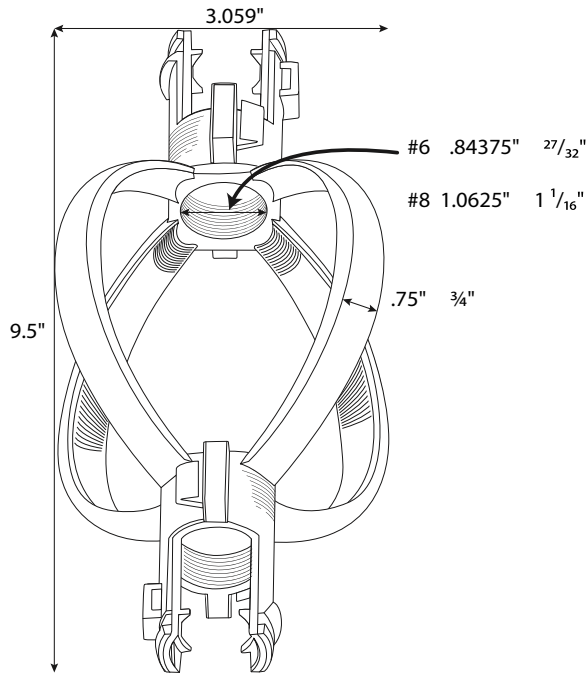
Part No. 3BB  
Bar Booster

provides 3 inches of concrete cover and fits rebar sizes #3 thru #10

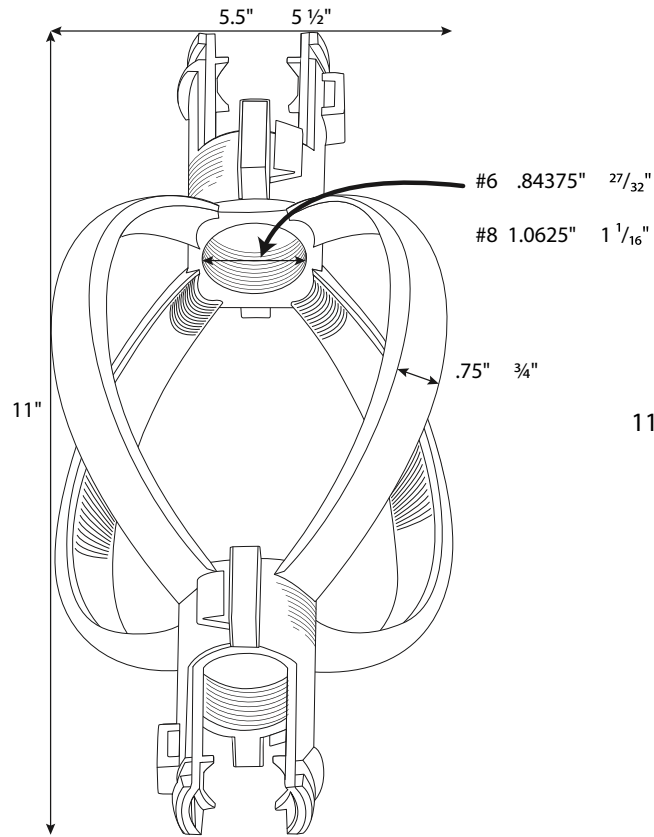


# NEW SIZES!

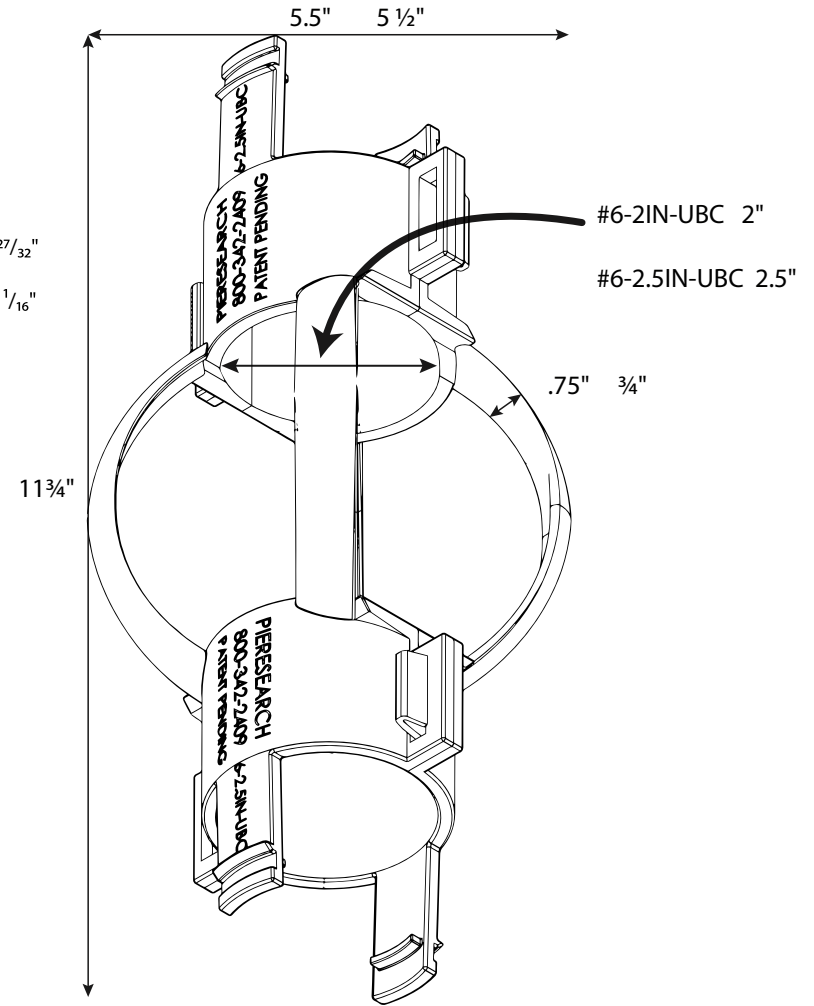
PATENT NO. 1015113



**4-6/8UBC**



**6-6/8UBC**



**6-2IN/2.5IN-UBC**