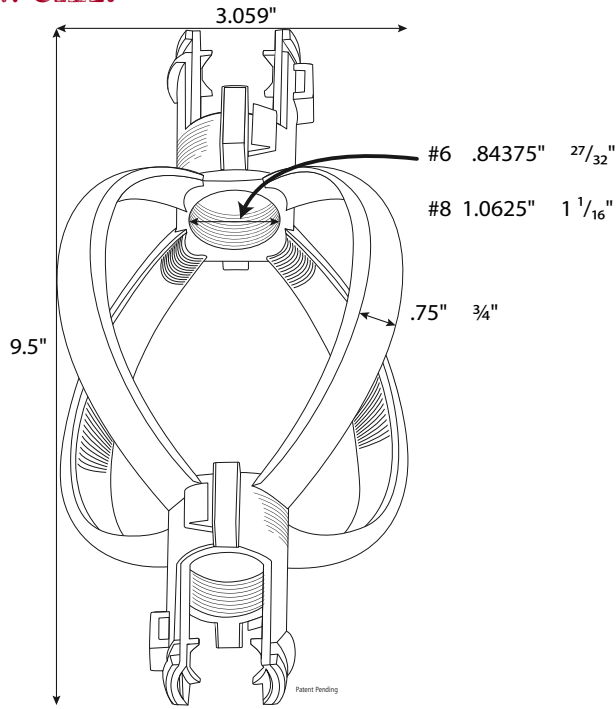
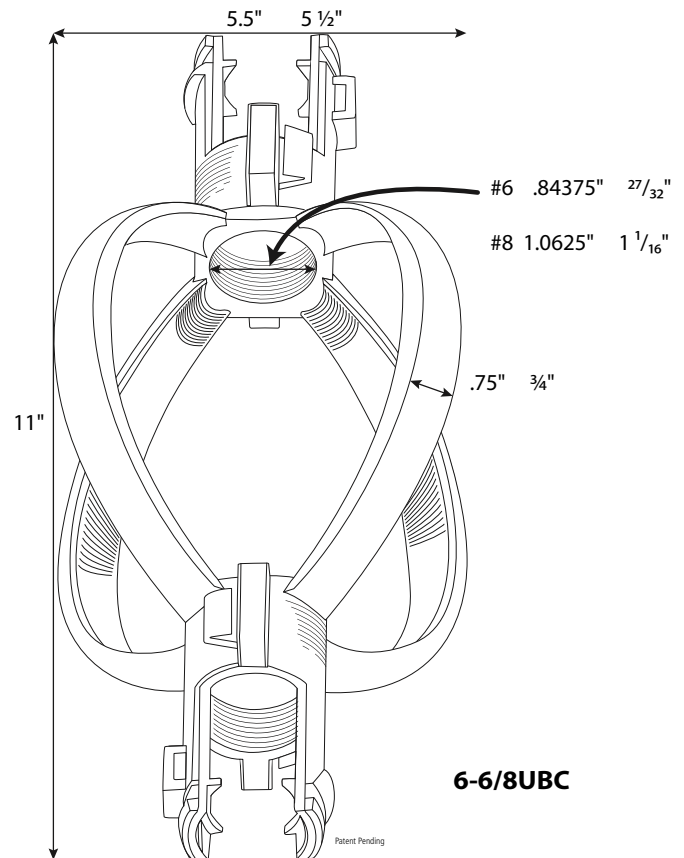


NEW SIZE!



4-6/8UBC



6-6/8UBC

PIERESEARCH UNIBAR SPECS • SECTION 31 32 39 SOIL NAILING ACCESSORIES

PART 1 - GENERAL

1.1 SUMMARY

- A. Section Includes: Soil nailing tendon accessories indicated, specified, or required to complete installation.

1.2 SUBMITTALS

- A. Product Data: Manufacturers technical literature for each type of manufactured material and product specified.
- B. Certification: Manufacturer's written certification that products furnished comply with or exceed specified requirements.

1.3 QUALITY ASSURANCE

- A. Manufacturer Qualifications: Company specializing in manufacturing products specified with minimum of three years documented experience.

1.4 DELIVERY, STORAGE, AND HANDLING

- A. Store and handle materials to prevent damage.

PART 2 - PRODUCTS

2.1 MANUFACTURER

- A. PIERESEARCH, 501 East Main Street, Arlington TX, 76010; phone (800) 342-2409; (817) 265 0980; Fax (817) 275.2335; www.pieresearch.com.
- B. For manufacturers not listed, submit as substitution according to the Conditions of the Contract and Division 01 Specification Sections.

2.2 TENDON CENTRALIZERS (QUICK-LOCK™ UNIBAR™ CENTRALIZERS)

- A. Description:
 - 1. Centralizer is made of plastic and are two identical halves that can be easily snapped together around soil nail tendon.
 - 2. Centralizer keeps soil nail tendon centered in drilled shaft and does not impede flow of grout/concrete.
 - 3. Centralizer Part Number:

NOTE TO SPECIFIER: SELECT ONE OF THE FOLLOWING FOUR OPTIONS:

- a. 4-6UBC: 4 inch diameter shafts fits tendon sizes of #5 through #6
- b. 4-8UBC: 4 inch diameter shafts fits tendon sizes of #7 through #8
- c. 6-6UBC: 6 inch diameter shafts fits tendon sizes of #5 through #6.
- d. 6-8UBC: 6 inch diameter shafts fits tendon sizes of #7 through #8.

EXECUTION

2.3 INSTALLATION

- A. Attach centralizers to soil nail tendon according to manufacturer's instructions.
- B. Snap two pieces together around soil nail tendon with one piece being inverted to the other piece.
- C. Attachment Locations:
 - 1. At deep end of drilled shaft, attach centralizer at approximately 1 foot from end of the soil nail tendon.
 - 2. Attach centralizer at maximum 10 foot intervals along total length of soil nail tendon.
 - 3. At access end of drilled shaft, attach centralizer so that it will be approximately 1 foot below grout/concrete surface.
- D. To prevent sliding, secure centralizer to soil nail tendon with tie wire or zip tie threaded through end tab slots.

