

Pier Boots™ & Bar Boosters™

Pier Boots™ are designed to support a reinforcing steel cage within a drilled shaft with a 3" concrete cover requirement, are made of durable, noncorrosive plastic and attach to rebar sizes #5 thru #14.

Pier Boots™ are also great for supporting reinforcing steel over waterproofing, in mat foundations and providing vertical support of slurry walls.

Installation is accomplished in seconds by simply pushing the **Pier Boot™** onto the end of a vertical bar of the rebar cage. The recommended spacing for installation is one **Pier Boot™** on every other vertical bar for piers under 48 inches in diameter or one **Pier Boot™** on every vertical bar for piers 48 inches in diameter and over.



Bar Boosters™ are designed to support a reinforcing steel cage within a drilled shaft with a 3" concrete cover requirement, are made of durable, noncorrosive plastic and attach to rebar of any size. The zip tie used for attachment is made of 170 pound tensile strength resin.

Bar Boosters™ are also great for supporting reinforcing steel over waterproofing, in mat foundations and providing vertical support of slurry wall mats.

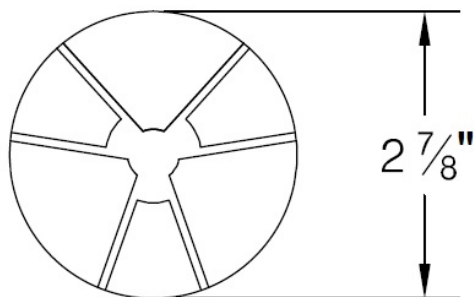
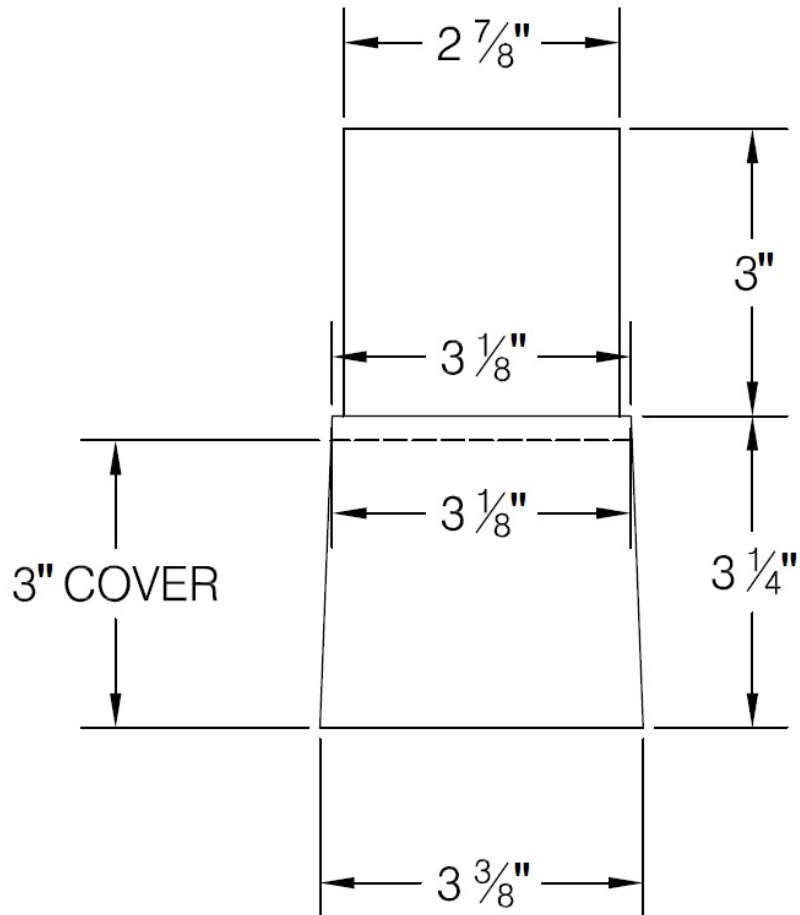
Installation is accomplished in seconds by simply positioning the **Bar Booster™** on the end of a vertical bar of the cage and pulling the zip tie taut. The recommended spacing for installation is one **Bar Booster™** on every other vertical bar for piers under 48 inches in diameter or one **Bar Booster™** on every vertical bar for piers 48 inches in diameter and over.



Part No. 3PB

Pier Boot

provides 3 inches of concrete cover and fits rebar sizes #5 thru #14



Part No. 3BB
Bar Booster

provides 3 inches of concrete cover and fits rebar sizes #3 thru #10

