

Quick-Lock HD™ Heavy Duty Pier Wheels

**COMPLETE,
ONE-PIECE DESIGN!**



Quick-Lock HD™ installation is a snap and is designed to properly position a reinforcing steel cage in a drilled shaft. Without proper alignment, the rebar cage cannot perform the function for which it was designed.

Quick-Lock HD™ pier wheels are made of durable, noncorrosive plastic and fit numbers 3 through 7 rebar ties. They are also perfect for a variety of other applications where concrete cover must be maintained.



The table below illustrates the recommended number of **Quick-Lock HD™** wheels to be used on a pier shaft basis. The actual number can vary subject to the number of vertical bars of the reinforcing steel cage. The structural engineer is the governing authority. When in doubt, please check with the structural engineer.

RECOMMENDED QUICK-LOCK HD™ WHEELS PER REINFORCING CAGE				
Pier Shaft Depth In Feet	Pier Shaft Diameter In Inches			
	Up to 48"	49" to 72"	73" to 96"	97" to 120"
0' to 12'	8	12	16	20
13' to 24'	12	18	24	30
25' to 36'	16	24	32	40
37' to 48'	24	36	48	60
49' to 60'	28	42	56	70
61' to 72'	36	54	72	90
73' to 84'	40	60	80	100
85' to 96'	48	72	96	120
97' to 108'	52	78	104	130
109' to 120'	60	90	120	150
121' to 132'	64	96	128	160
133' to 144'	72	108	144	180

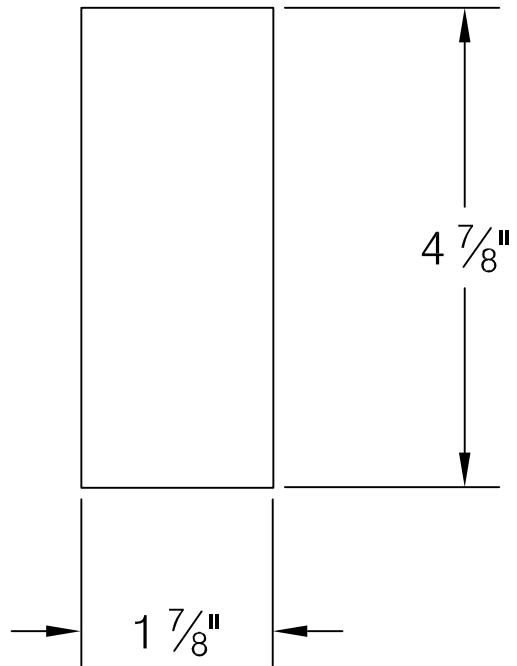
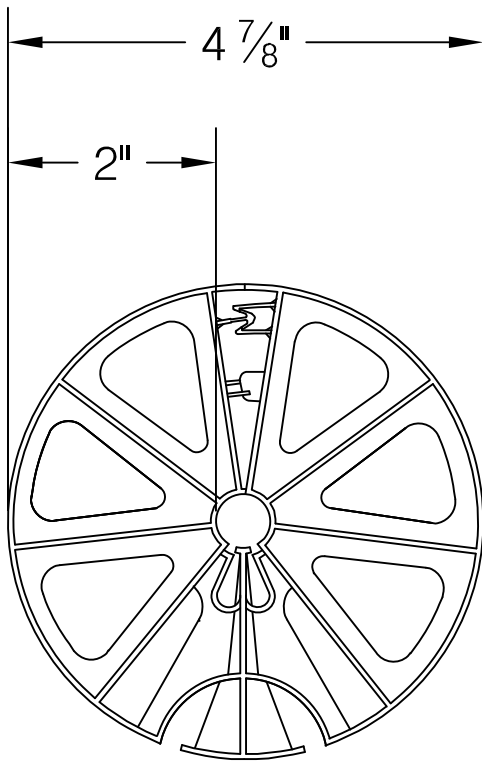
Part No.	Description
4QLHD	4" Quick-Lock HD™ wheel provides 2 inches of concrete cover* and fits rebar sizes #3 thru #7
6QLHD	6" Quick-Lock HD™ wheel provides 3 inches of concrete cover** and fits rebar sizes #3 thru #7
7QLHD	7" Quick-Lock HD™ wheel provides 3 inches of concrete cover* and fits rebar sizes #3 thru #7
8QLHD	8" Quick-Lock HD™ wheel provides 4 inches of concrete cover** and fits rebar sizes #3 thru #7
12QLHD	12" Quick-Lock HD™ wheel provides 6 inches of concrete cover** and fits rebar sizes #3 thru #7

*Actual Clearance or Concrete Cover is measured from the outside of the circle tie, spiral, etc. of the reinforcing steel cage to the side of the drilled shaft.
 **Nominal Clearance or Concrete Cover is measured from the outside of the vertical bar of the reinforcing steel cage to the side of the drilled shaft.

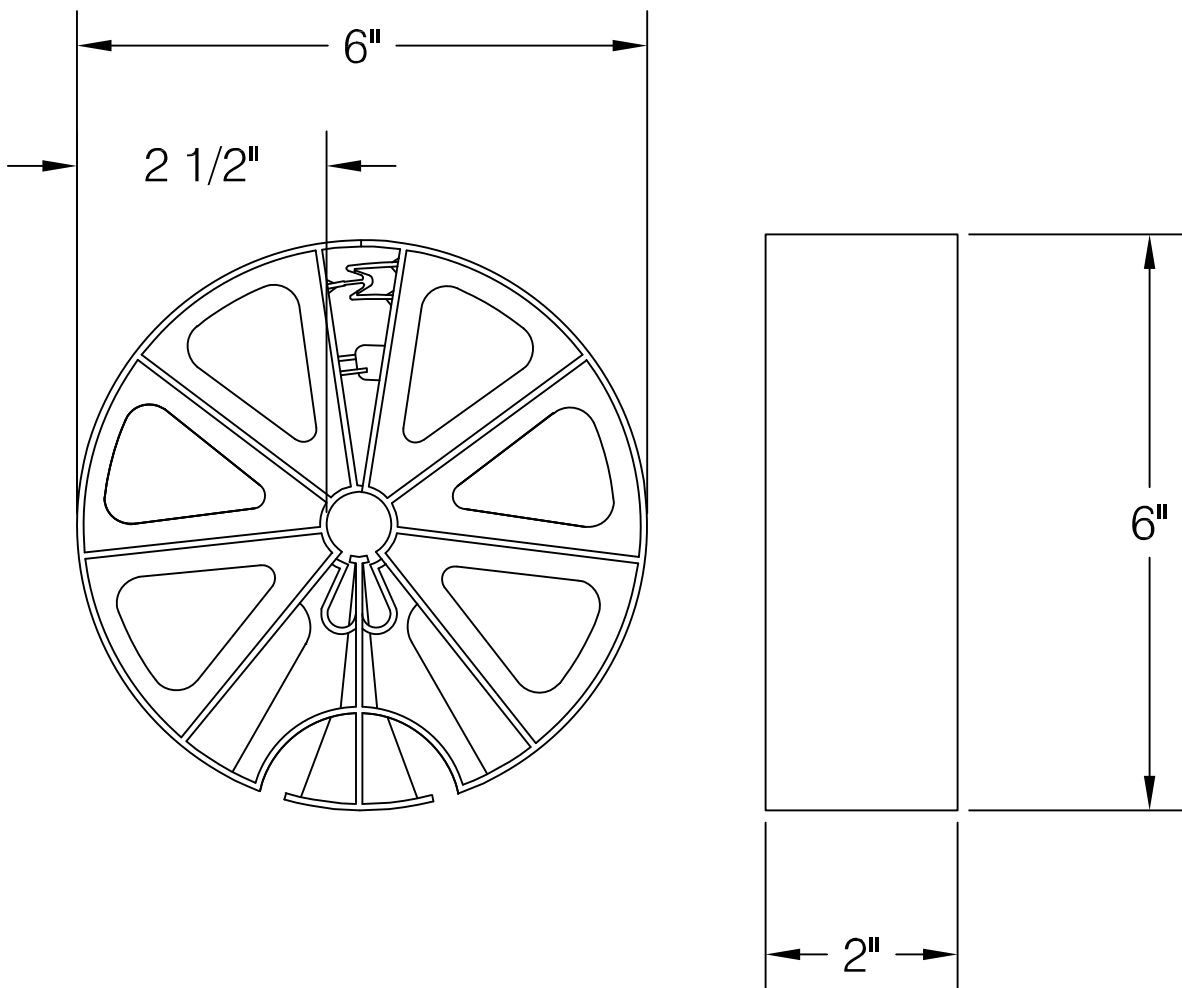
Part No. 4QLHD

Quick-Lock Heavy Duty Pier Wheel

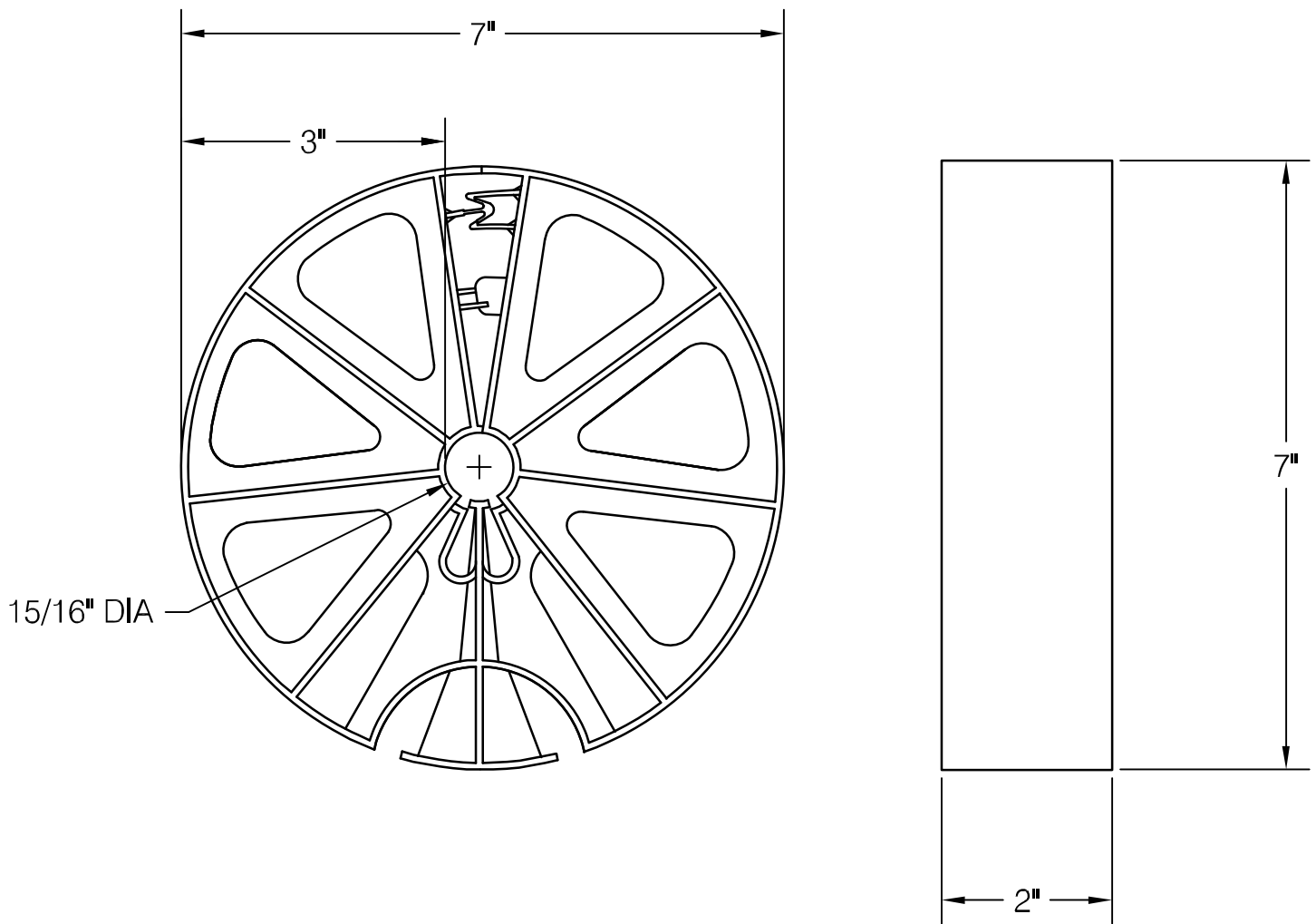
provides 2 inches of concrete cover and fits rebar size #3 thru #7



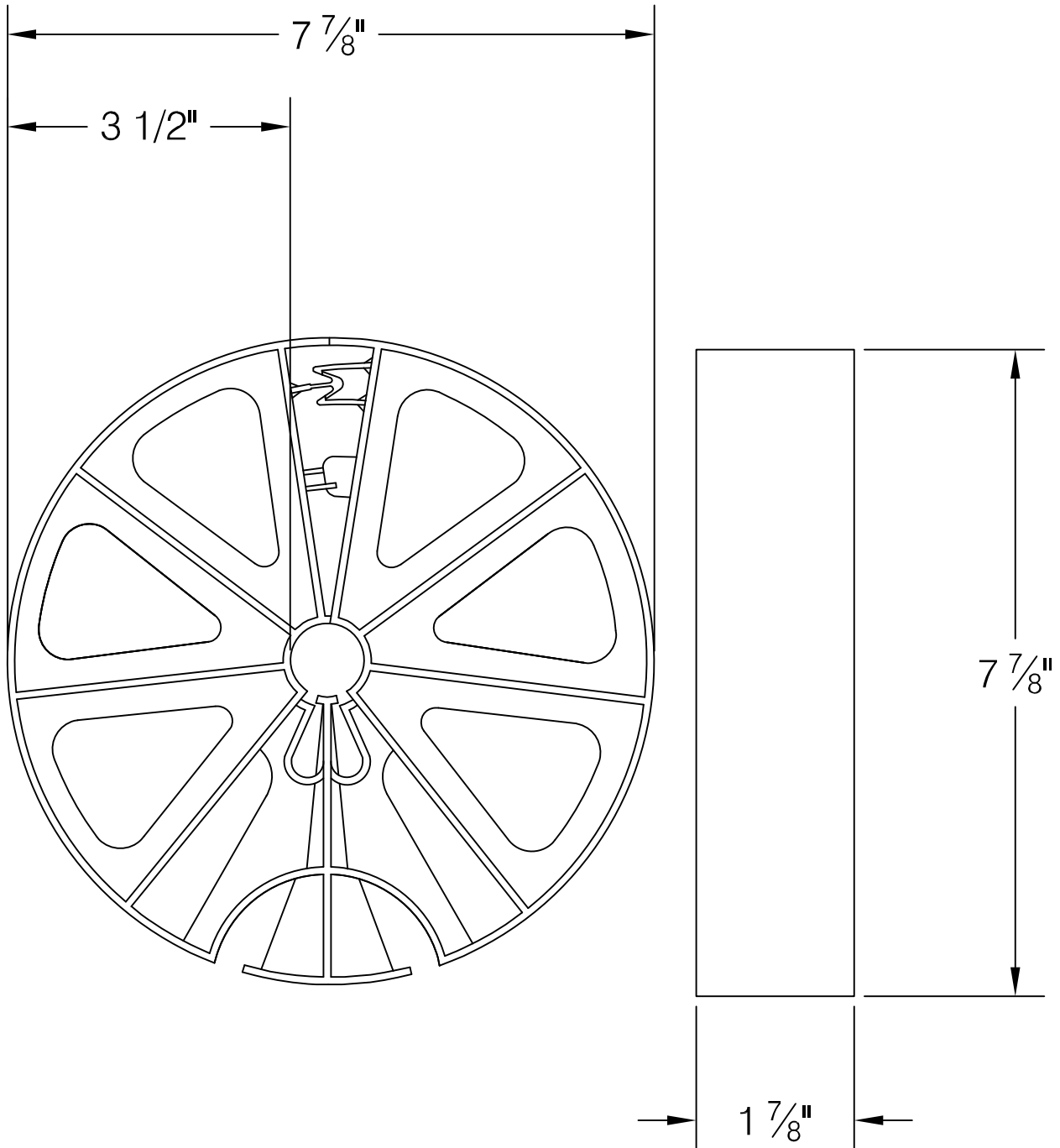
Part No. 6QLHD
Quick-Lock Heavy Duty Pier Wheel
provides 3 inches of concrete cover and fits rebar sizes #3 thru #7



Part No. 7QLHD
7" Quick-Lock Heavy Duty Pier Wheel
provides 3" inches of concrete cover and fits rebar sizes #3 thru #7



Part No. 8QLHD
Quick-Lock Heavy Duty Pier Wheel
provides 4 inches of concrete cover and fits rebar sizes #3 thru #7



Part No. 12QLHD
Quick-Lock Heavy Duty Pier Wheel
provides 6 inches of concrete cover and fits rebar sizes #3 thru #7

