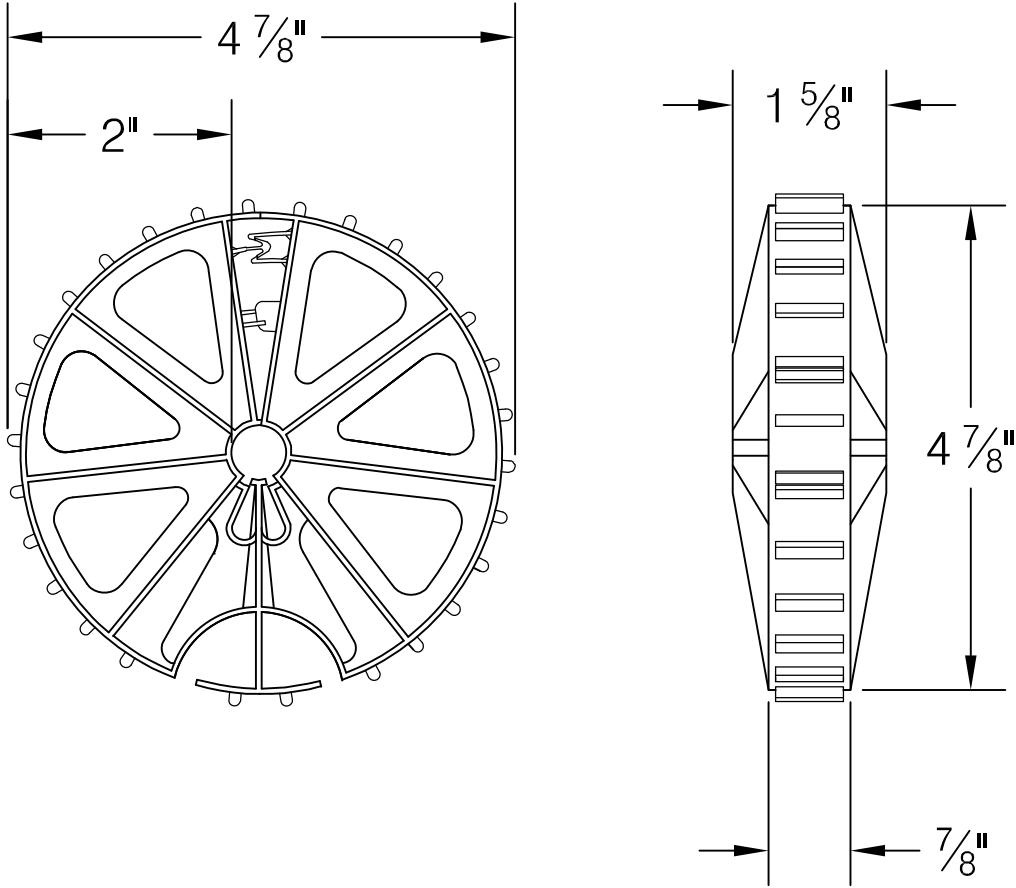
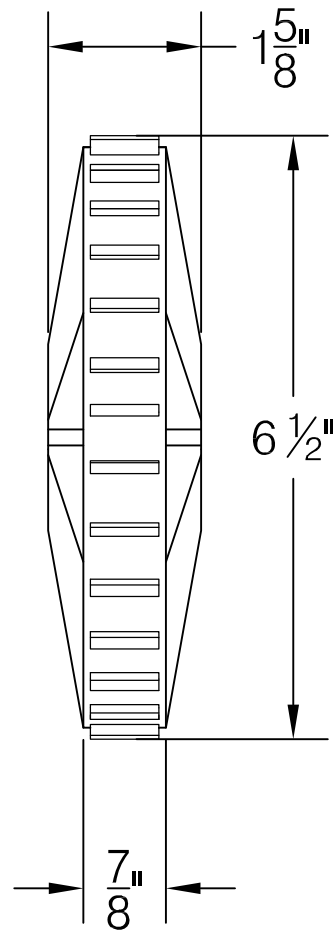
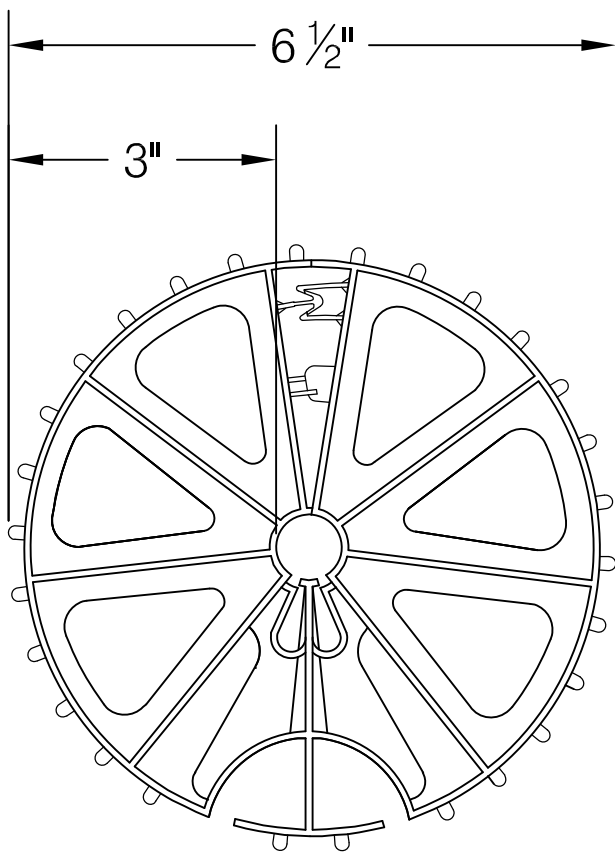


Part No.4QLPW  
Quick-Lock Pier Wheel  
provides 2 inches of concrete cover and fits rebar sizes #3 thru #7



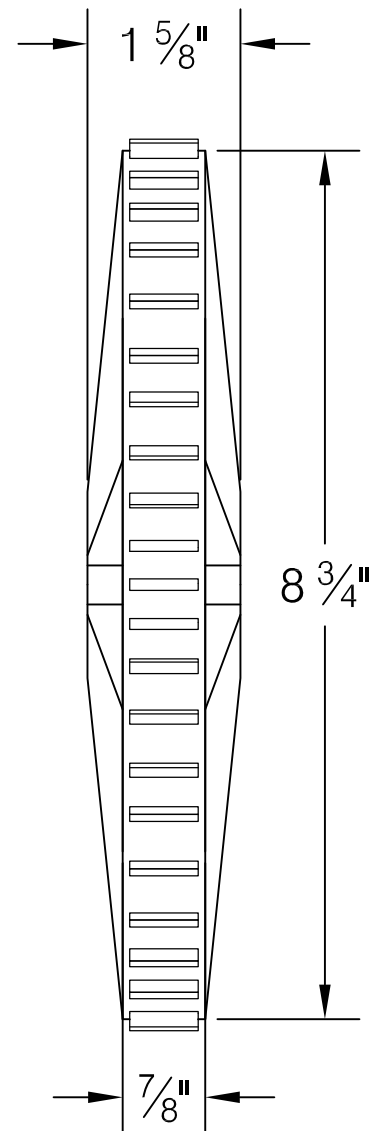
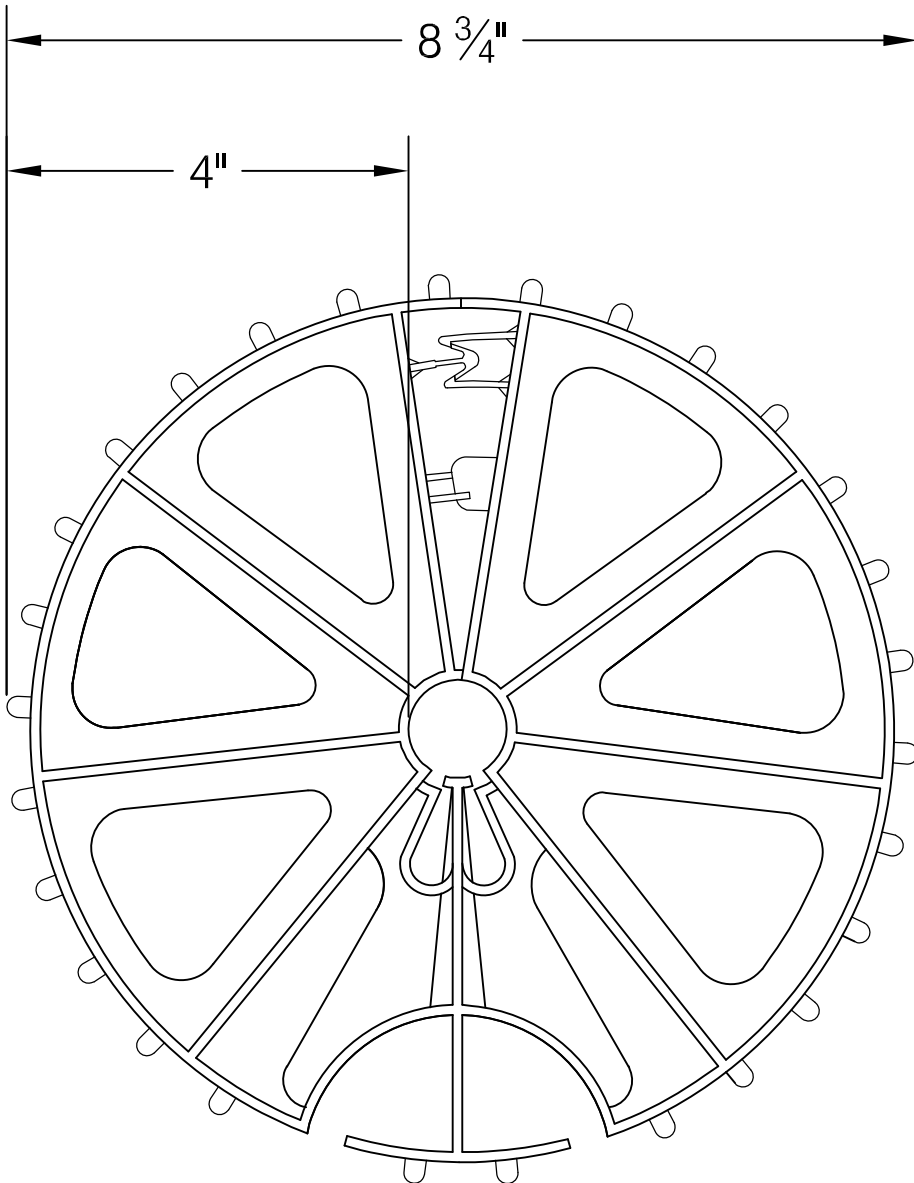
Part No. 6QLPW  
Quick-Lock Pier Wheel

provides 3 inches of concrete cover and fits rebar sizes #3 thru #5



Part No. 8QLPW  
Quick-Lock Pier Wheel

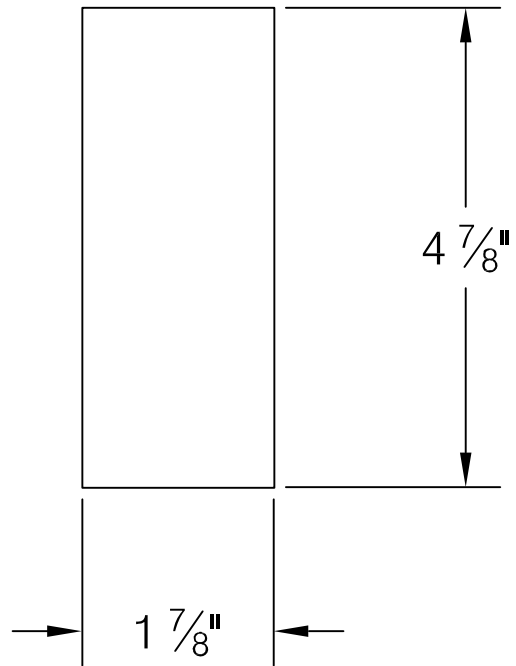
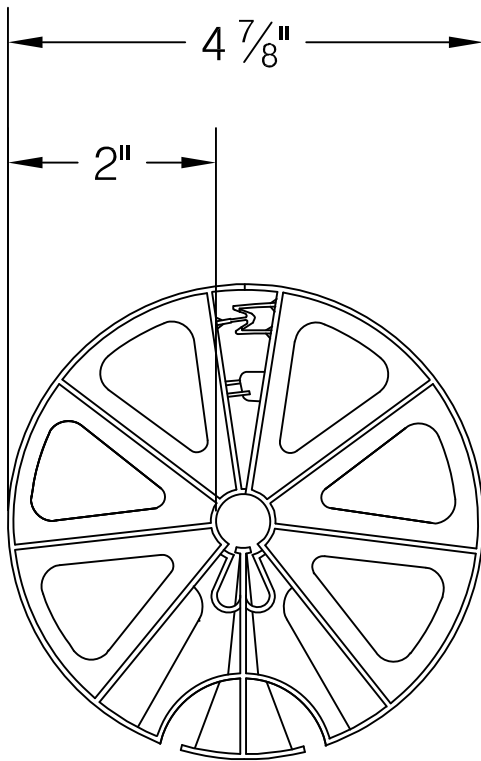
provides 4 inches of concrete cover and fits rebar sizes #3 thru #7



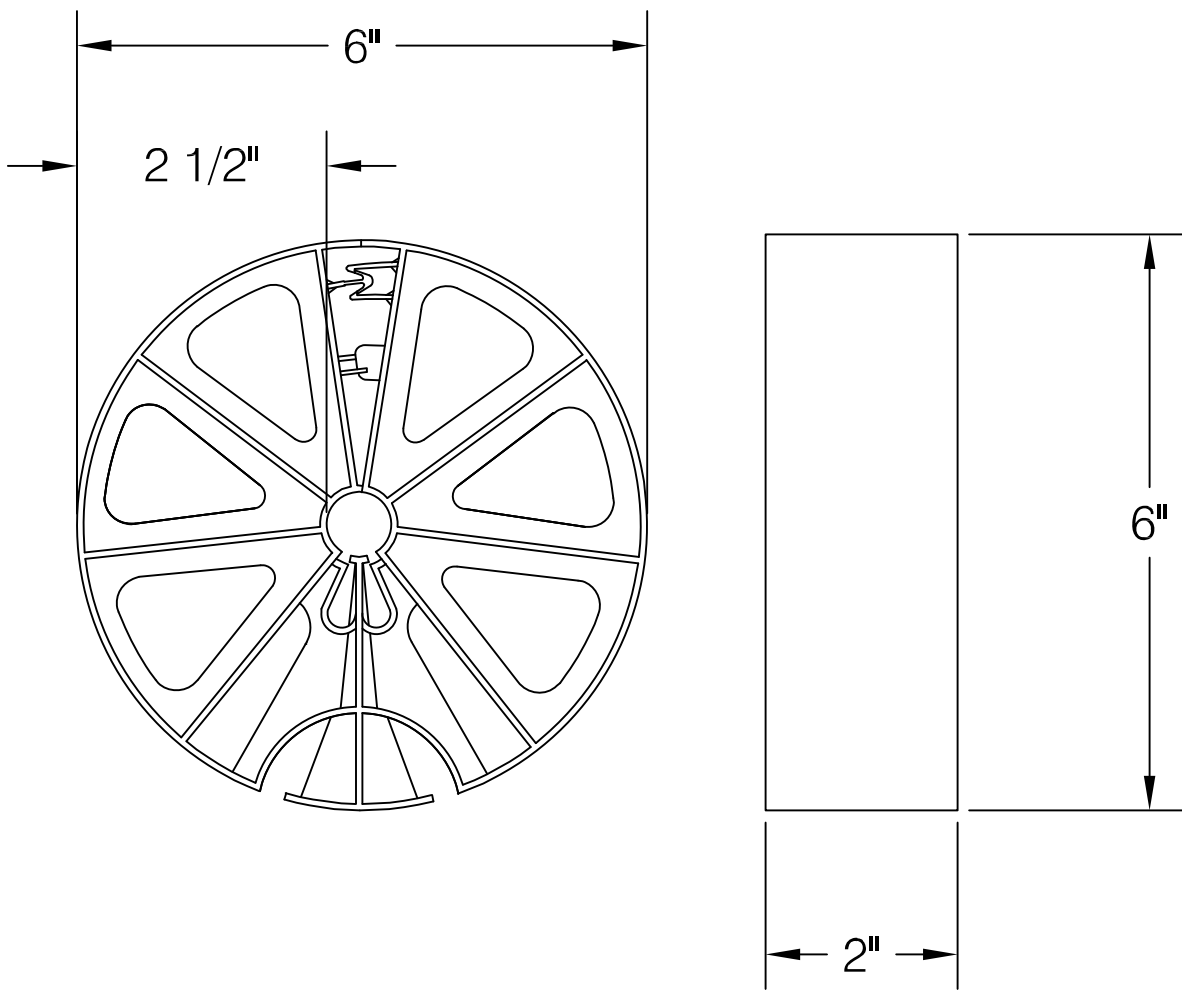
Part No. 4QLHD

### Quick-Lock Heavy Duty Pier Wheel

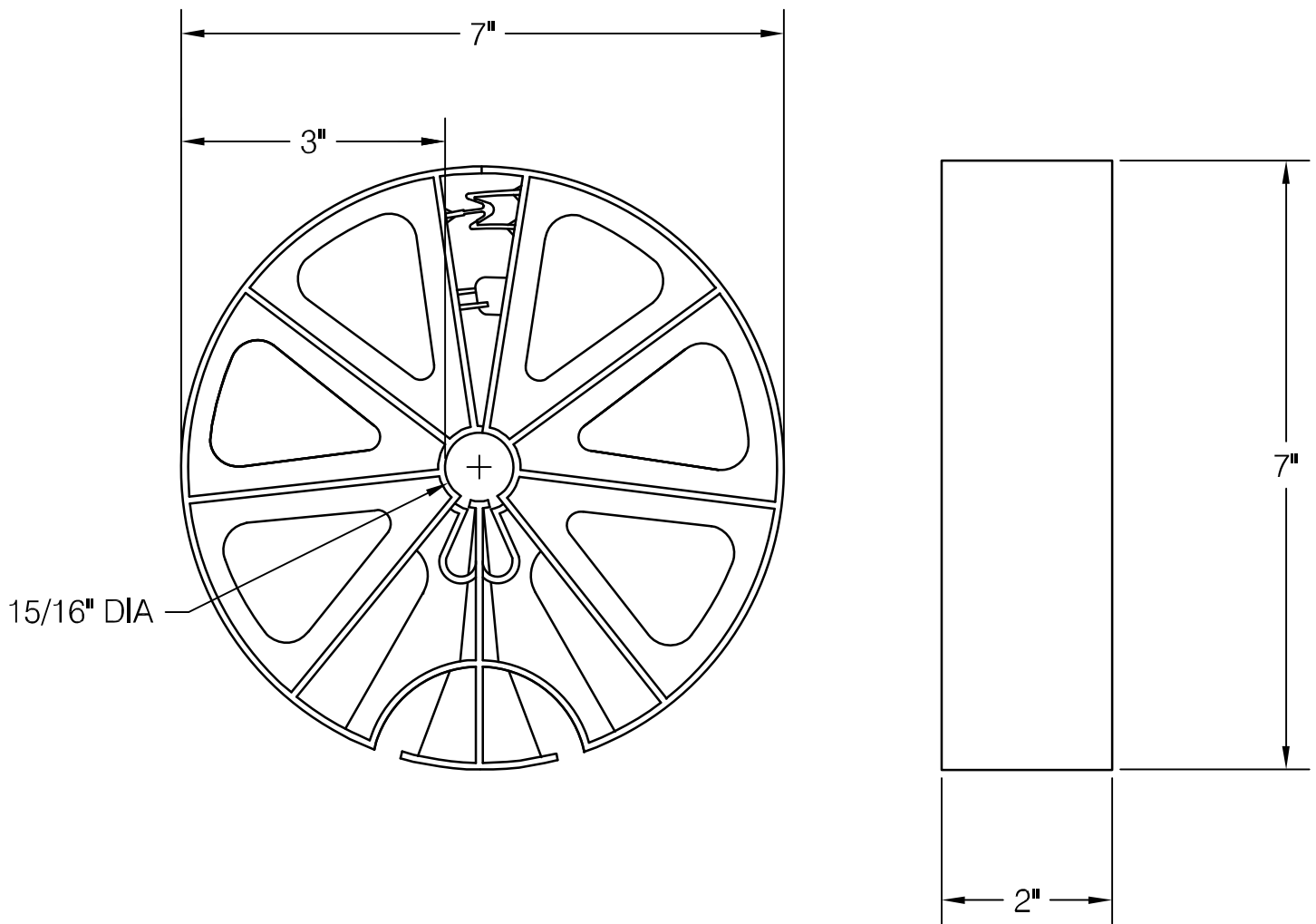
provides 2 inches of concrete cover and fits rebar size #3 thru #7



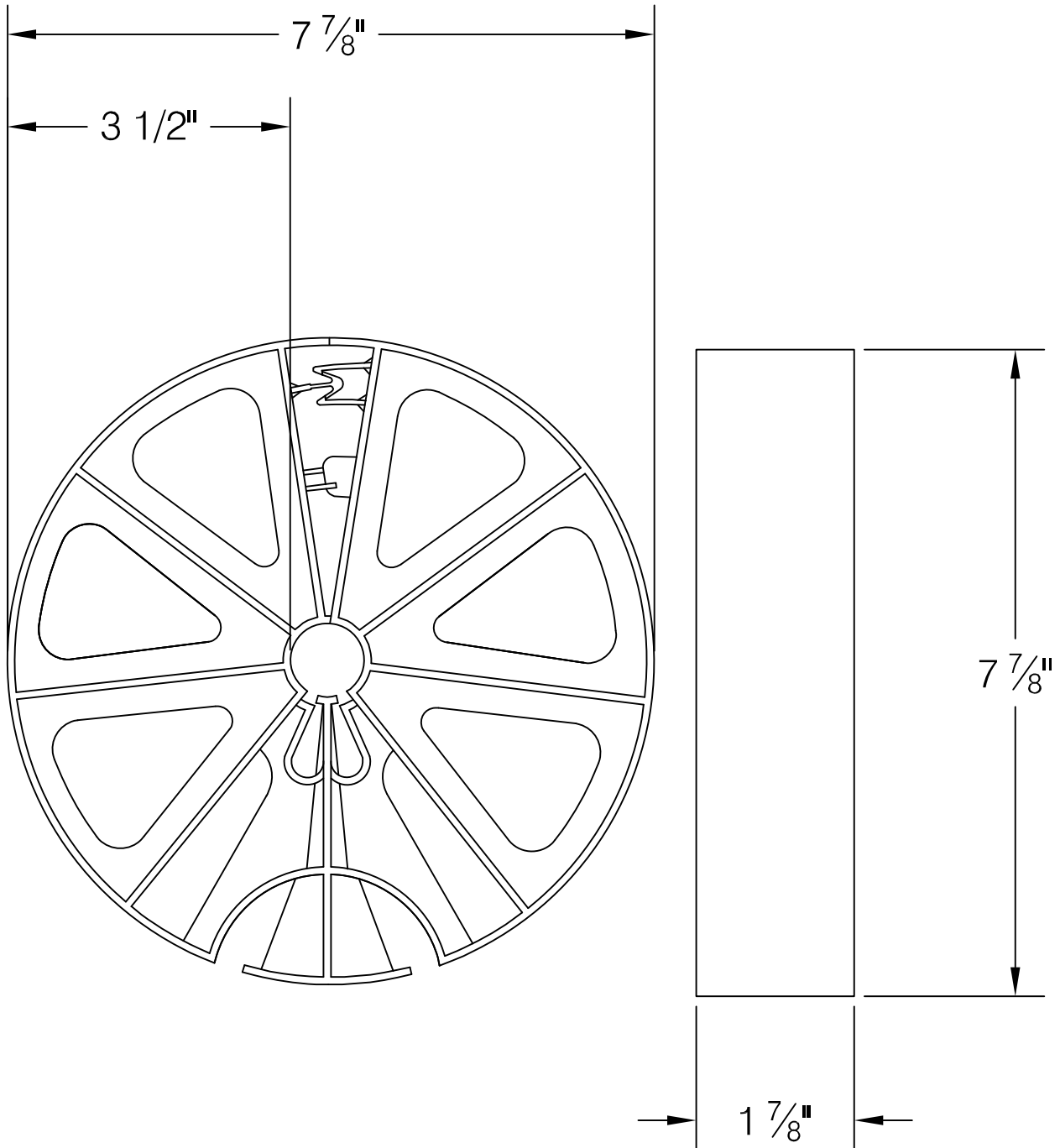
Part No. 6QLHD  
**Quick-Lock Heavy Duty Pier Wheel**  
provides 3 inches of concrete cover and fits rebar sizes #3 thru #7



Part No. 7QLHD  
7" Quick-Lock Heavy Duty Pier Wheel  
provides 3" inches of concrete cover and fits rebar sizes #3 thru #7



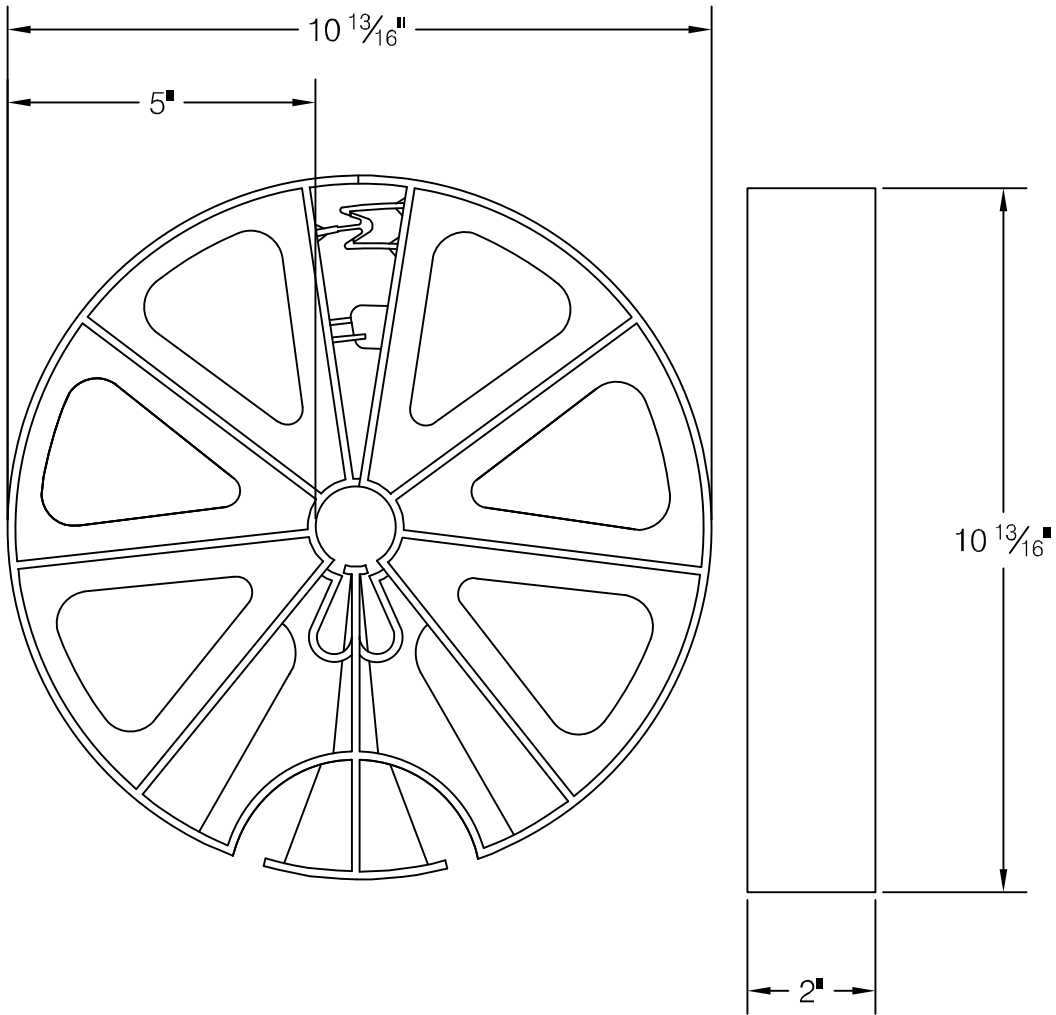
Part No. 8QLHD  
**Quick-Lock Heavy Duty Pier Wheel**  
provides 4 inches of concrete cover and fits rebar sizes #3 thru #7



Part No. 12QLHD

### Quick-Lock Heavy Duty Pier Wheel

provides 6 inches of concrete cover and fits rebar sizes #3 thru #7

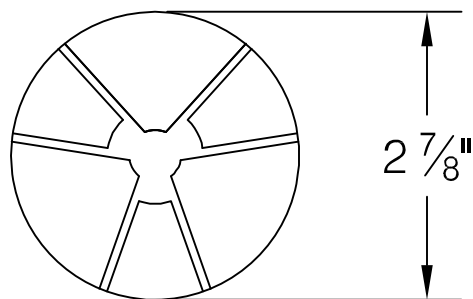
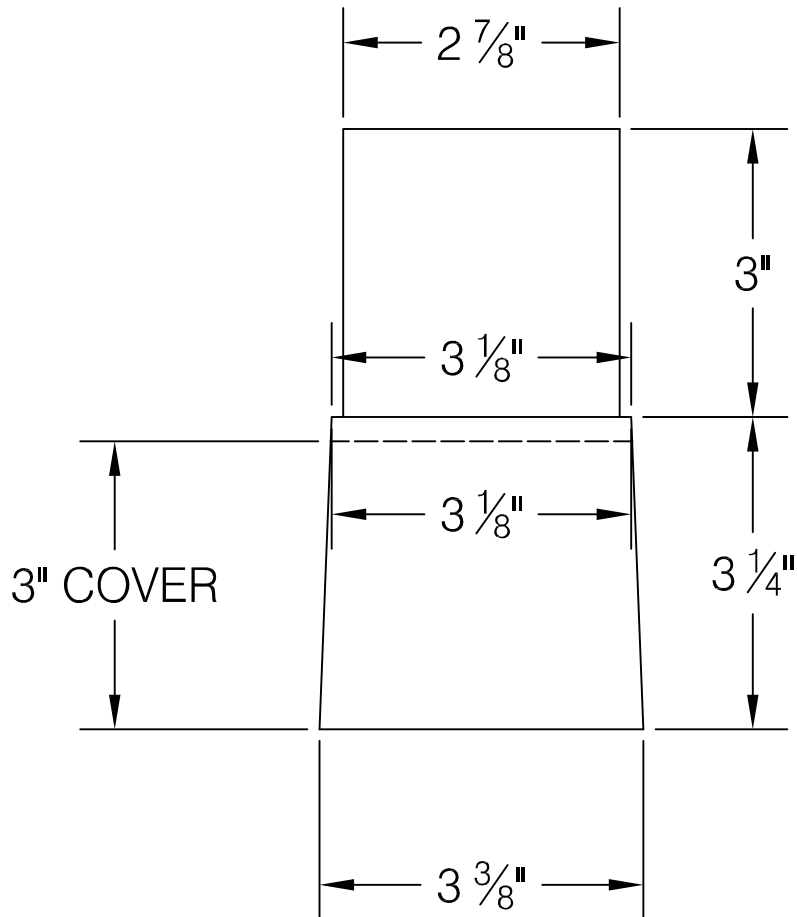




Part No. 3PB

Pier Boot

provides 3 inches of concrete cover and fits rebar sizes #6 thru #14



Part No. 3BB  
Bar Booster

provides 3 inches of concrete cover and fits rebar sizes #3 thru #10

