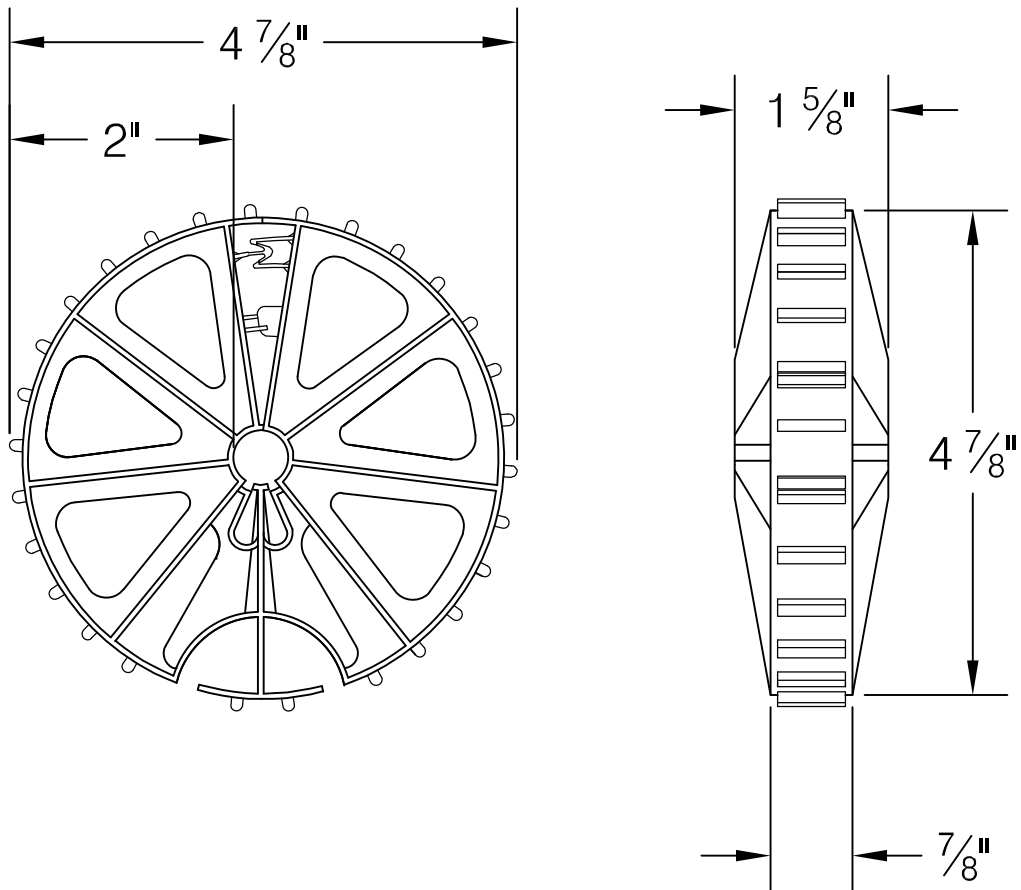
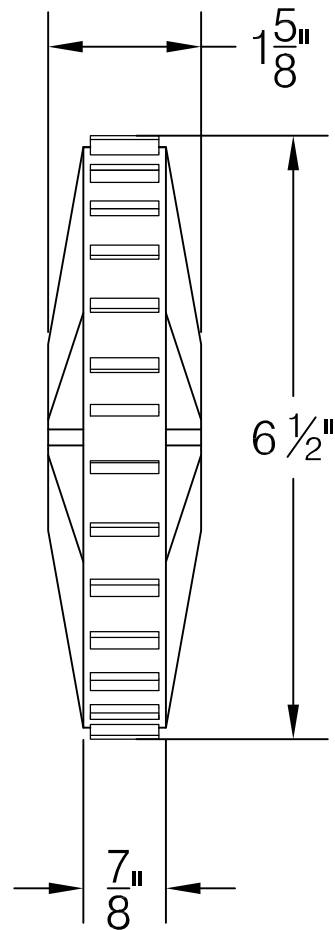
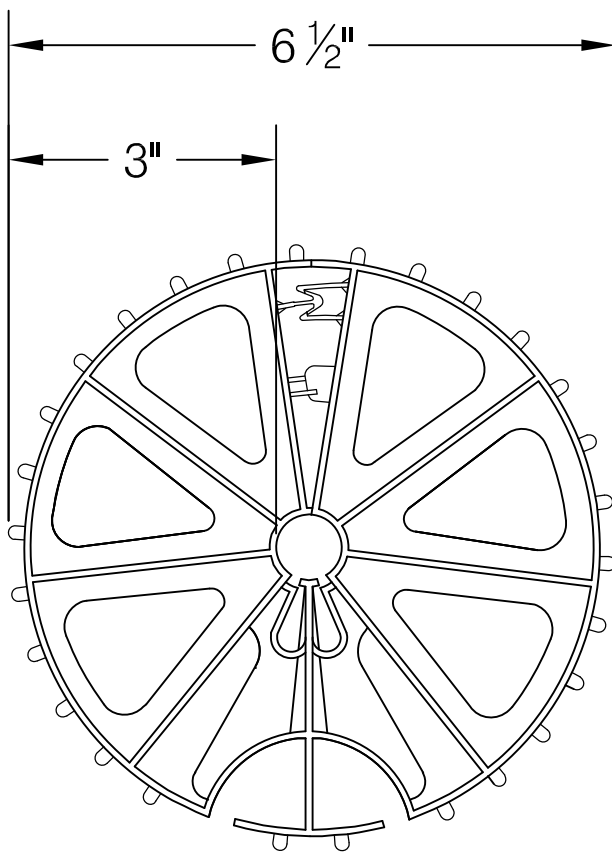


Part No.4QLPW
Quick-Lock Pier Wheel
provides 2 inches of concrete cover and fits rebar sizes #3 thru #7



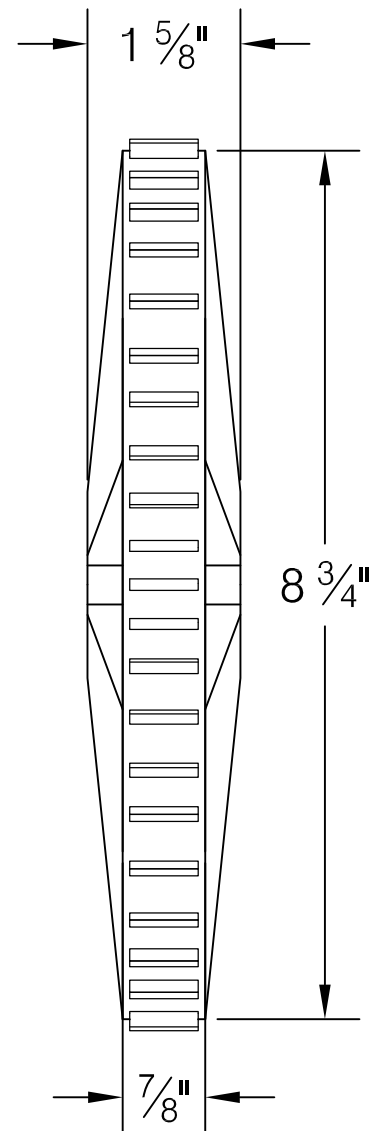
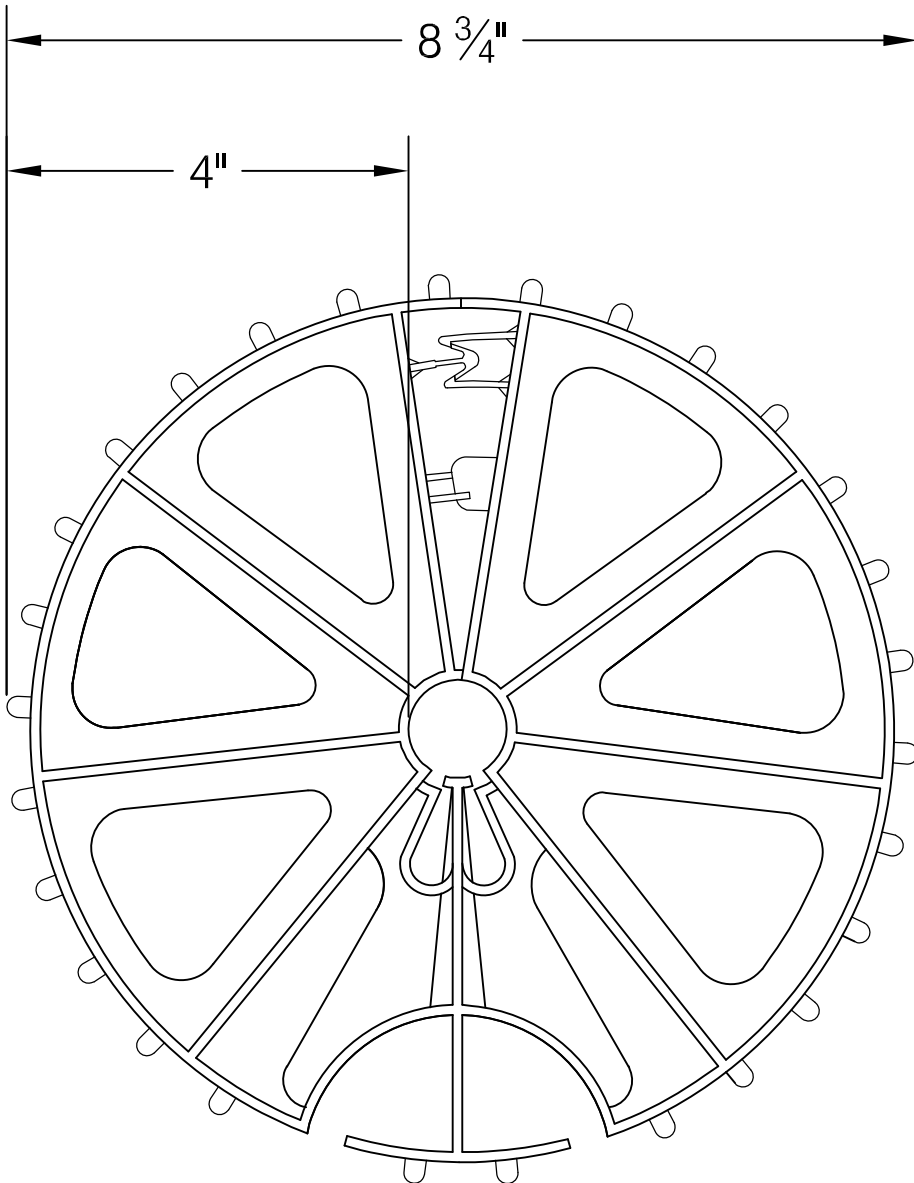
Part No. 6QLPW
Quick-Lock Pier Wheel

provides 3 inches of concrete cover and fits rebar sizes #3 thru #5



Part No. 8QLPW
Quick-Lock Pier Wheel

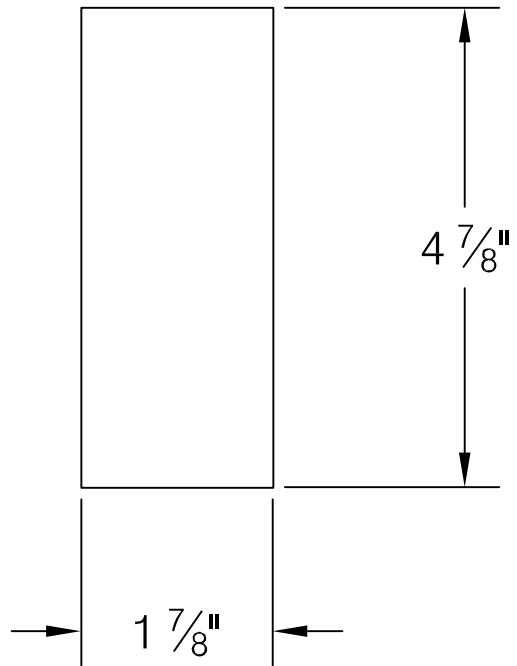
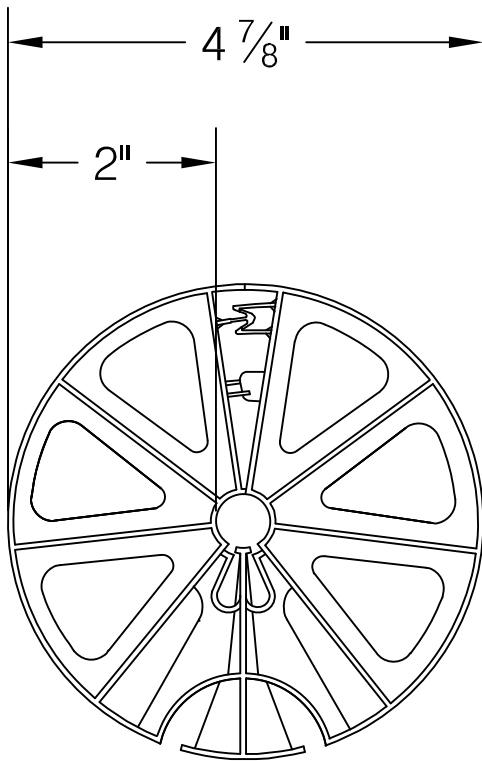
provides 4 inches of concrete cover and fits rebar sizes #3 thru #7



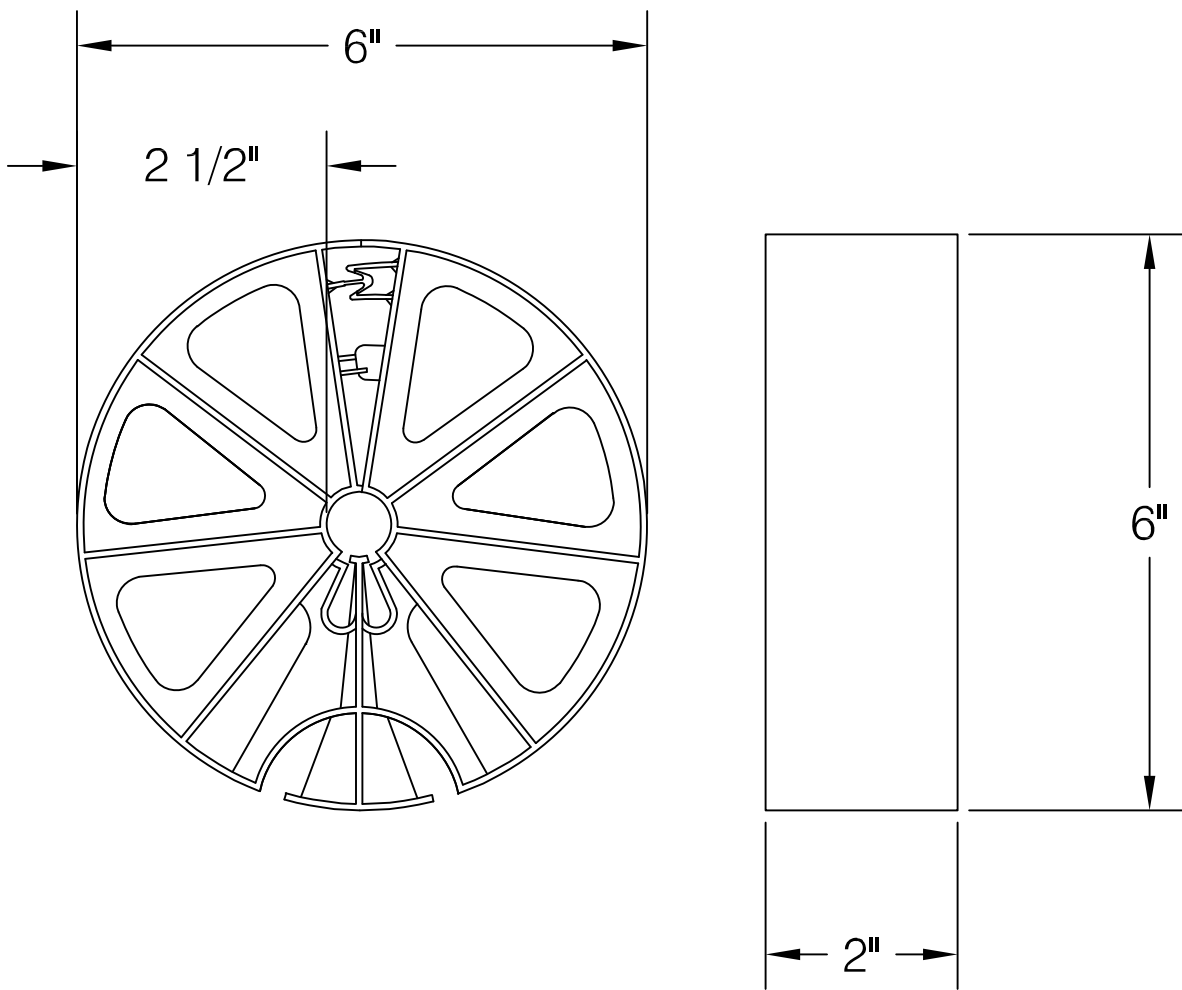
Part No. 4QLHD

Quick-Lock Heavy Duty Pier Wheel

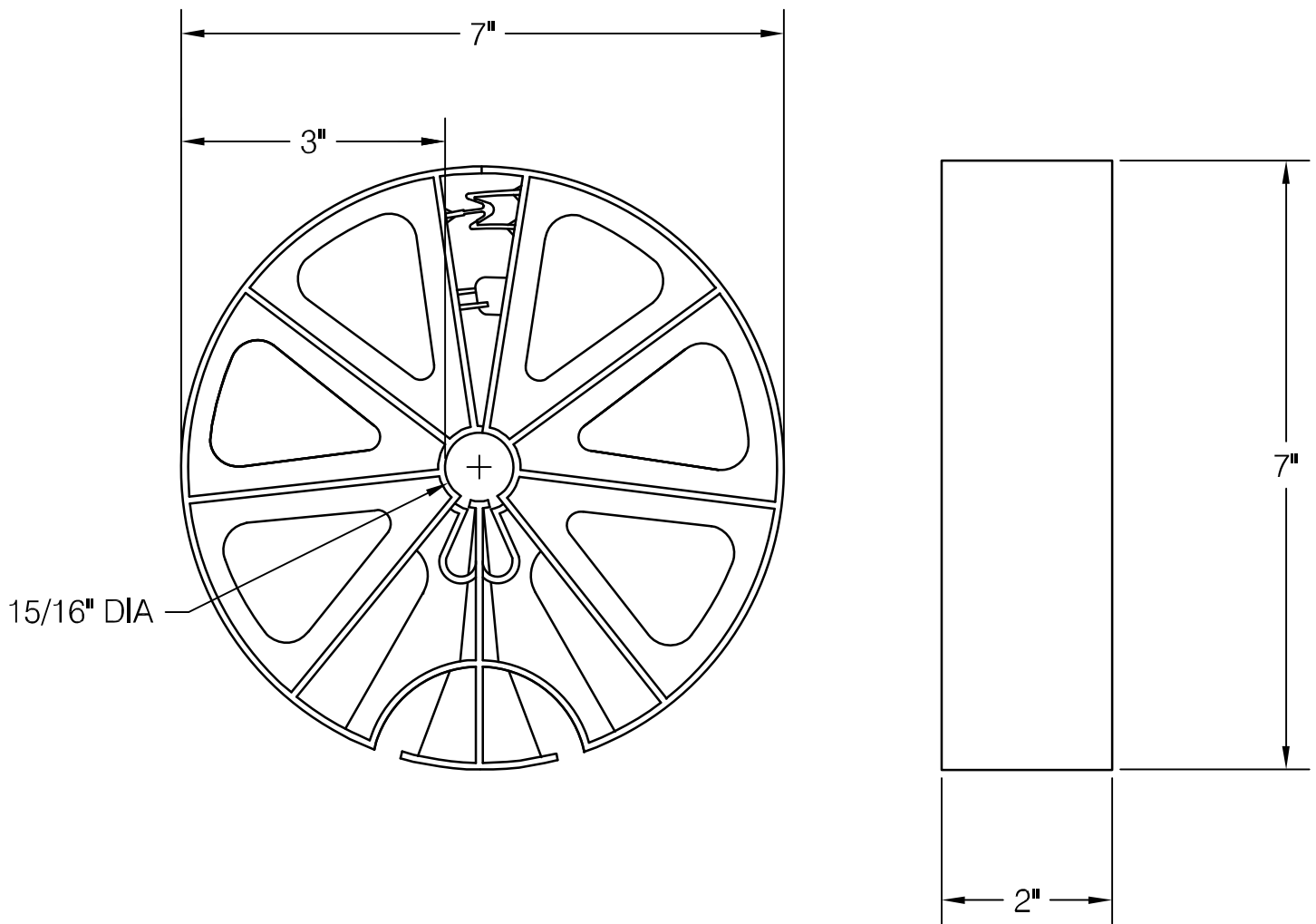
provides 2 inches of concrete cover and fits rebar size #3 thru #7



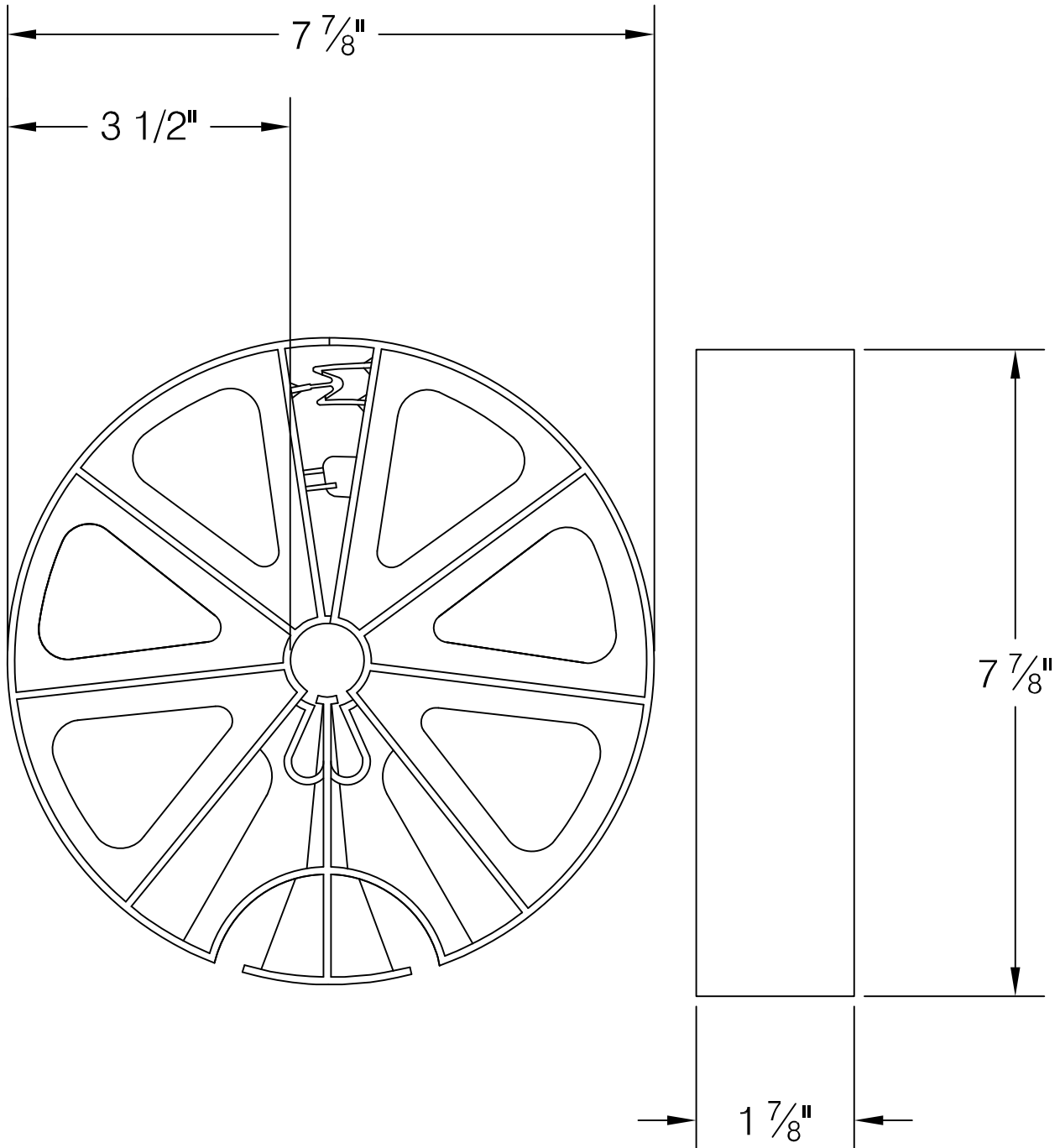
Part No. 6QLHD
Quick-Lock Heavy Duty Pier Wheel
provides 3 inches of concrete cover and fits rebar sizes #3 thru #7



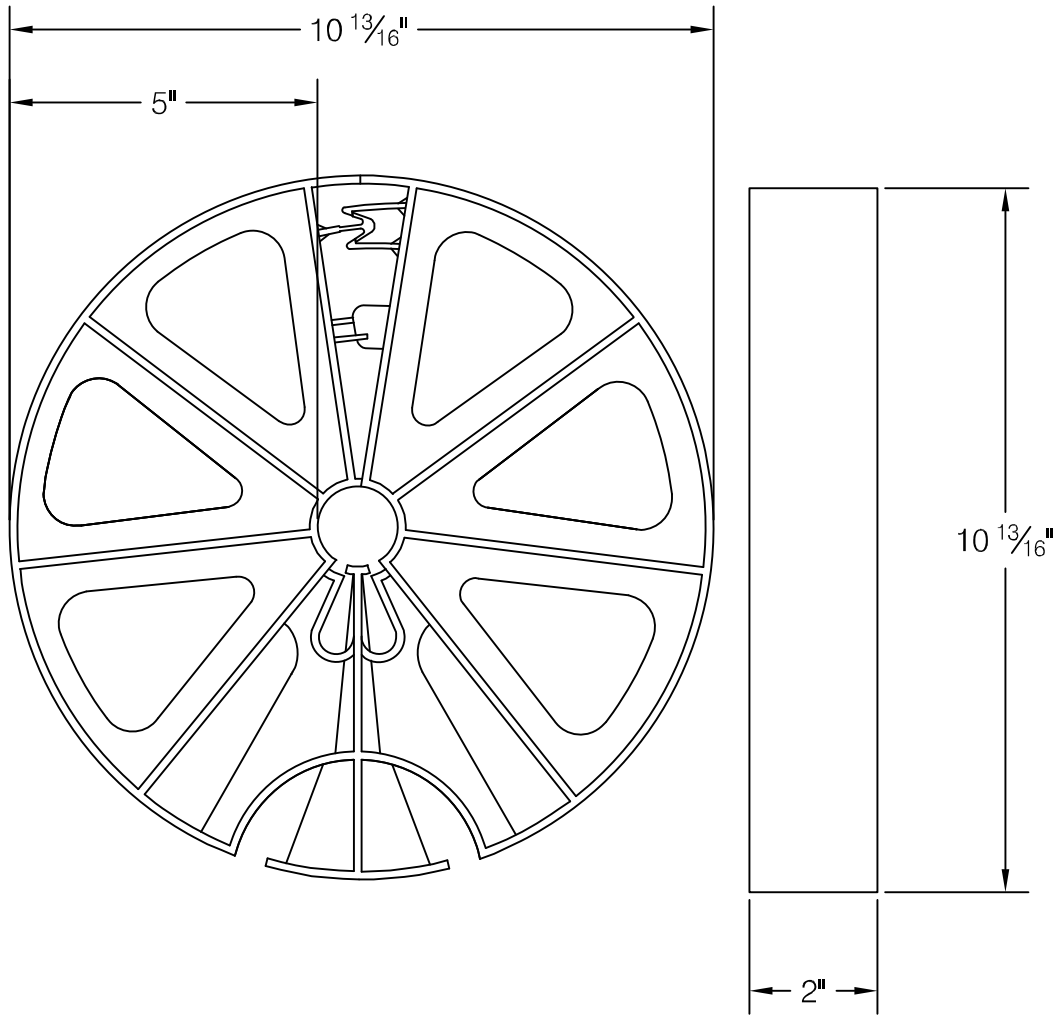
Part No. 7QLHD
7" Quick-Lock Heavy Duty Pier Wheel
provides 3" inches of concrete cover and fits rebar sizes #3 thru #7



Part No. 8QLHD
Quick-Lock Heavy Duty Pier Wheel
provides 4 inches of concrete cover and fits rebar sizes #3 thru #7



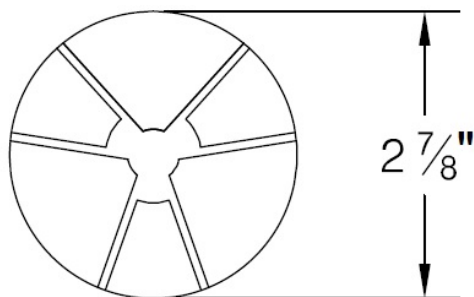
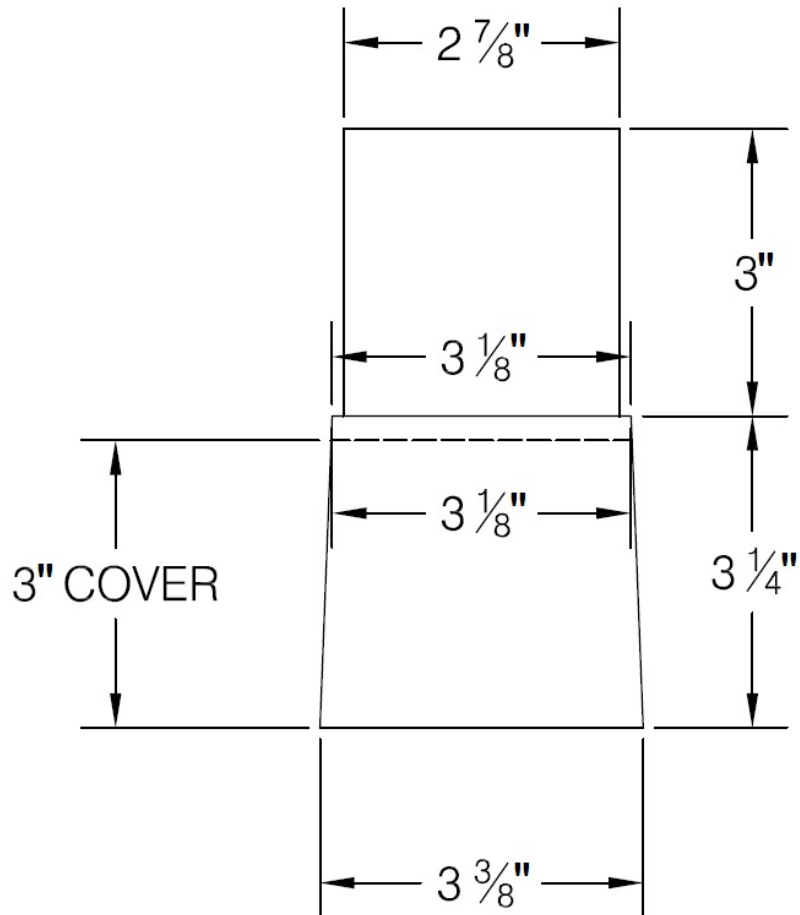
Part No. 12QLHD
Quick-Lock Heavy Duty Pier Wheel
provides 6 inches of concrete cover and fits rebar sizes #3 thru #7



Part No. 3PB

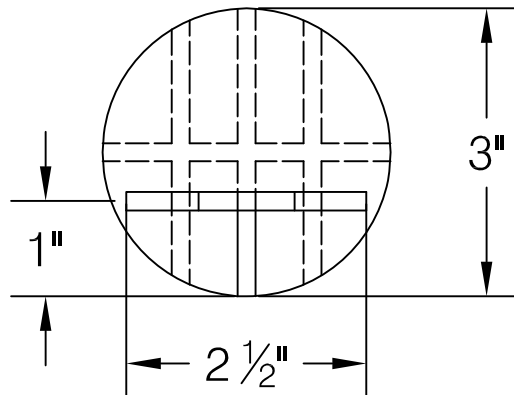
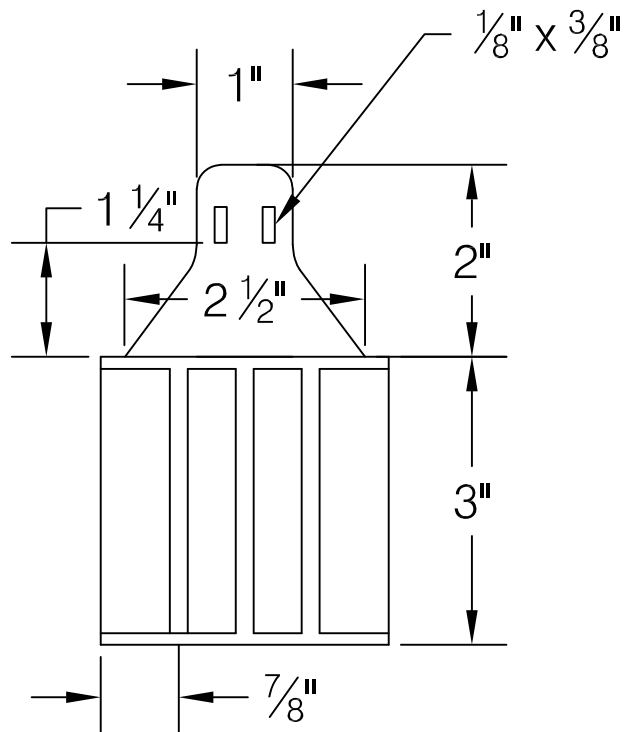
Pier Boot

provides 3 inches of concrete cover and fits rebar sizes #5 thru #14



Part No. 3BB
Bar Booster

provides 3 inches of concrete cover and fits rebar sizes #3 thru #10



Part No. 6-6UBC & 6-8UBC
QUICK-LOCK™ UNIBAR™ CENTRALIZER

