

PIERESEARCH™ QUICK-LOCK™ UNIBAR™ CENTRALIZERS

Soil Nailing - Tendon/Rebar Alignment and Support

QUICK-LOCK™ UNIBAR™ CENTRALIZERS

The answer to uniform reinforcement steel spacing requirements in single-bar foundation/tieback elements. To achieve proper design strength in any drilled and grouted/concreted hole, the tendon/rebar or anchor material must be centered in the shaft to allow minimum coverage throughout the length of the element.



Patent Pending

APPLICATION

QUICK-LOCK™ UNIBAR™ CENTRALIZERS are designed to keep the tendon/bar centered in the bore/drill hole to allow for minimum grout/concrete coverage and do not impede flow of grout within bore/drill hole and around tendon. They are made of durable non-corrosive plastic and consisting of two identical halves that are fast and easy to snap together. QUICK-LOCK™ UNIBAR™ CENTRALIZERS will accommodate Single Bar, Multi-Bar/Strand Anchors, Encapsulated (DCP) Anchors, and Steel or Plastic Pipe Applications. They are ideal for Soil Nails, Rock/Soil Anchors, Micro-Piles, and Auger-Cast Piles with single tension bars.

ADVANTAGES

- 2 identical halves
- easy to snap together
- made of durable non-corrosive plastic
- can be attached with zip ties or tie wire
- offset to fit between rebar threads
- keeps single tendon/bar centered within a drill hole
- ideal for soil nail applications
- no nuts or bolts required
- lightweight and economical

ASSEMBLY

Quickly assemble the QUICK-LOCK™ UNIBAR™ CENTRALIZER by easily snapping the two inverted identical halves together over the tendon/rebar and either tying it on with tie wire, or with a zip tie threaded through the end tab slots.

PLACEMENT

The lowest QUICK-LOCK™ UNIBAR™ CENTRALIZER should be installed approximately 1 feet from the end of the tendon/bar material. Each successive QUICK-LOCK™ UNIBAR™ CENTRALIZER should be placed at no greater than 10-foot intervals. The upper QUICK-LOCK™ UNIBAR™ CENTRALIZER should be approximately 1 feet below grout/concrete surface.

Part No.	Description
4-6UBC	4" shafts fits tendon/rebar sizes #5 thru #6
4-8UBC	4" shafts fits tendon/rebar sizes #7 thru #8
6-6UBC	6" shafts fits tendon/rebar sizes #5 thru #6
6-8UBC	6" shafts fits tendon/rebar sizes #7 thru #8

100 parts per bag. Bag weight approx. 22 pounds.
16 bags per pallet.

MANUFACTURER and ORDERING

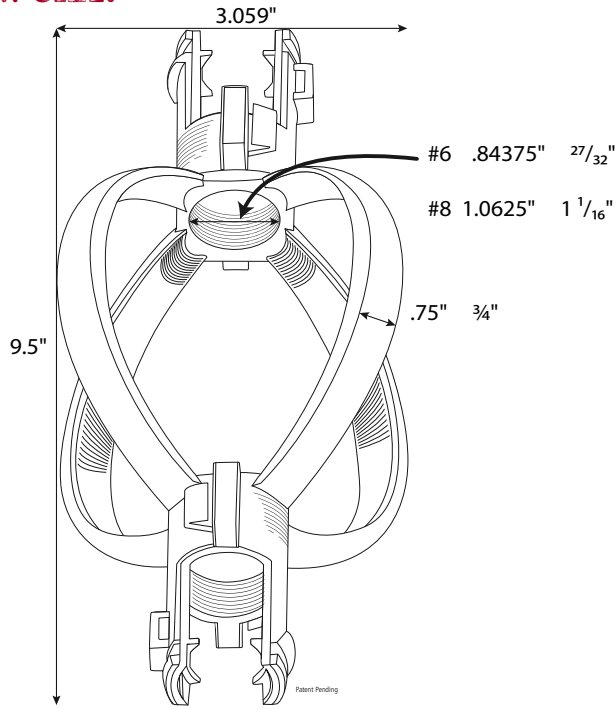
Piereseach
501 E Main Street
Arlington, TX 76010
Customer/Technical Services:
800/342-2409 • 817/265-0980 • Fax 817/275-2335
Website: www.piereseach.com
Email: sales@piereseach.com
Visit our website for for spec kits, how to videos and ordering information.

All Piereseach concrete accessories are proudly made in the United States of America.

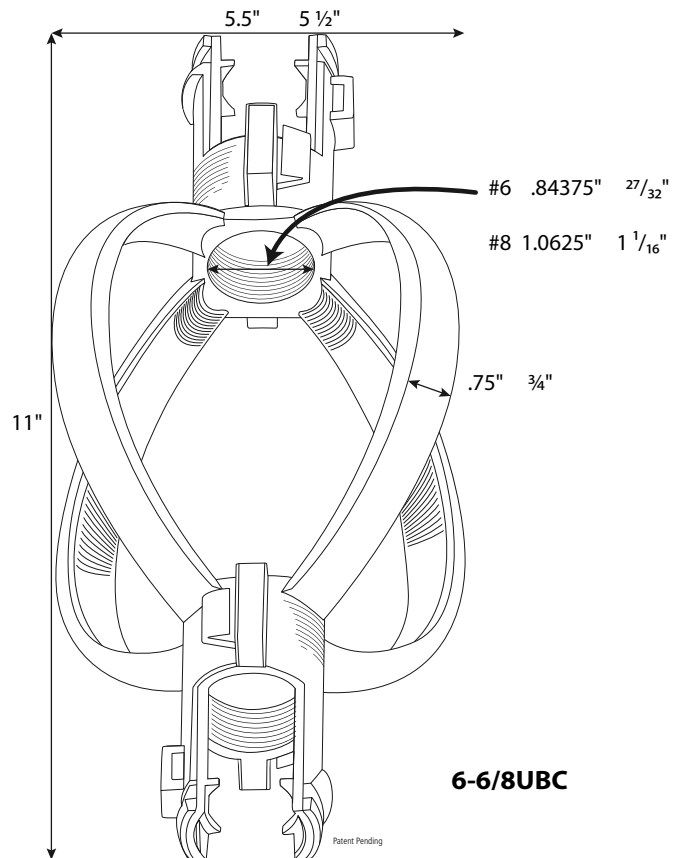
WARRANTY (ACCESSORIES)

Limited Warranty. Piereseach warrants that Products manufactured by it will be free from defects in material and workmanship for a period of 60 days from the date of shipment. Any claim under this warranty must be made in writing within such warranty period. If any Products covered by a timely claim are found to be defective, Piereseach will, within a reasonable time replace the Products. Unless authorized in advance by Piereseach in writing, Piereseach will not accept any charges for the return of any Products for warranty purposes. This limited warranty will not apply to any Products that have been subjected to misuse, neglect, storage damage, misapplication, accident or any other damage caused by any person other than Piereseach. THIS LIMITED WARRANTY IS IN LIEU OF ALL OTHER WARRANTIES AS TO THE PRODUCTS. PIERESEACH MAKES NO OTHER WARRANTIES OR GUARANTEES, EXPRESS OR IMPLIED, INCLUDING ANY WARRANTY OF MERCHANTABILITY, FITNESS FOR A PARTICULAR PURPOSE OR OTHERWISE. THE REMEDIES SET FORTH IN THIS SECTION ARE CUSTOMER'S EXCLUSIVE REMEDY FOR BREACH OF WARRANTY.

NEW SIZE!



4-6/8UBC



6-6/8UBC

PIERESEARCH UNIBAR SPECS • SECTION 31 32 39 SOIL NAILING ACCESSORIES

PART 1 - GENERAL

1.1 SUMMARY

- A. Section Includes: Soil nailing tendon accessories indicated, specified, or required to complete installation.

1.2 SUBMITTALS

- A. Product Data: Manufacturers technical literature for each type of manufactured material and product specified.
- B. Certification: Manufacturer's written certification that products furnished comply with or exceed specified requirements.

1.3 QUALITY ASSURANCE

- A. Manufacturer Qualifications: Company specializing in manufacturing products specified with minimum of three years documented experience.

1.4 DELIVERY, STORAGE, AND HANDLING

- A. Store and handle materials to prevent damage.

PART 2 - PRODUCTS

2.1 MANUFACTURER

- A. PIERESEARCH, 501 East Main Street, Arlington TX, 76010; phone (800) 342-2409; (817) 265 0980; Fax (817) 275.2335; www.pieresearch.com.
- B. For manufacturers not listed, submit as substitution according to the Conditions of the Contract and Division 01 Specification Sections.

2.2 TENDON CENTRALIZERS (QUICK-LOCK™ UNIBAR™ CENTRALIZERS)

- A. Description:
 - 1. Centralizer is made of plastic and are two identical halves that can be easily snapped together around soil nail tendon.
 - 2. Centralizer keeps soil nail tendon centered in drilled shaft and does not impede flow of grout/concrete.
 - 3. Centralizer Part Number:

NOTE TO SPECIFIER: SELECT ONE OF THE FOLLOWING FOUR OPTIONS:

- a. 4-6UBC: 4 inch diameter shafts fits tendon sizes of #5 through #6
- b. 4-8UBC: 4 inch diameter shafts fits tendon sizes of #7 through #8
- c. 6-6UBC: 6 inch diameter shafts fits tendon sizes of #5 through #6.
- d. 6-8UBC: 6 inch diameter shafts fits tendon sizes of #7 through #8.

EXECUTION

2.3 INSTALLATION

- A. Attach centralizers to soil nail tendon according to manufacturer's instructions.
- B. Snap two pieces together around soil nail tendon with one piece being inverted to the other piece.
- C. Attachment Locations:
 - 1. At deep end of drilled shaft, attach centralizer at approximately 1 foot from end of the soil nail tendon.
 - 2. Attach centralizer at maximum 10 foot intervals along total length of soil nail tendon.
 - 3. At access end of drilled shaft, attach centralizer so that it will be approximately 1 foot below grout/concrete surface.
- D. To prevent sliding, secure centralizer to soil nail tendon with tie wire or zip tie threaded through end tab slots.